

FISHER & PAYKEL

48" PROFESSIONAL
COOKTOPS & BACKGUARDS

CPV2-485, CPV2-486GD, CPV2-486GL, CPV2-488,
BGCV2-1248, BGCV2-3048, BGCV2-3048H models

PLANNING GUIDE

CONTENTS

	PAGE	
	in	mm
<hr/>		
48" Professional Cooktop CPV2-485, CPV2-486GD, CPV2-486GL, CPV2-488		
Key Design Decisions	5	23
Ventilation Requirements	6	24
<hr/>		
48" Professional Cooktop CPV2-485		
Product & Cavity Dimensions	7	25
Clearance Dimensions	8	26
Cavity Preparation	9	27
<hr/>		
48" Professional Cooktop CPV2-486GL		
Product & Cavity Dimensions	10	28
Clearance Dimensions	11	29
Cavity Preparation	12	30
<hr/>		
48" Professional Cooktop CPV2-486GD		
Product & Cavity Dimensions	13	31
Clearance Dimensions	14	32
Cavity Preparation	15	33
<hr/>		

CONTENTS (continued)

48" Professional Cooktop CPV2-488	PAGE	
	in	mm
Product & Cavity Dimensions	16	34
Clearance Dimensions	17	35
Cavity Preparation	18	36
<hr/>		
48" Professional Range Backguard BGCV2-1248		
Product Dimensions	19	37
<hr/>		
48" Professional Range Backguard BGCV2-3048		
Product Dimensions	20	38
<hr/>		
48" Professional Range Backguard BGCV2-3048H		
Product Dimensions	21	39

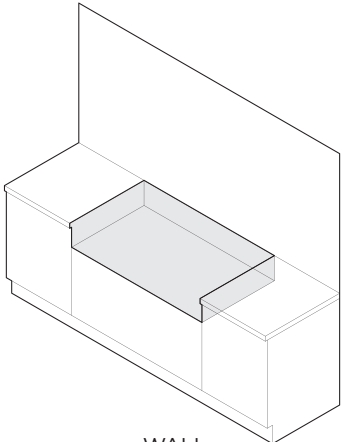
IMPERIAL

FISHER & PAYKEL

KEY DESIGN DECISIONS 48" Professional Range

1

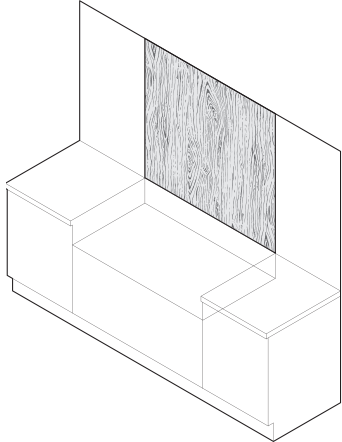
INSTALL TYPE



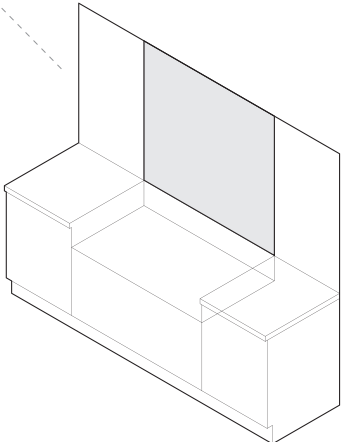
WALL

2

REAR SURFACE



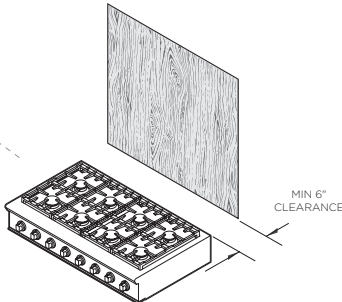
COMBUSTIBLE



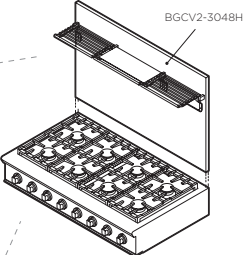
NON COMBUSTIBLE

3

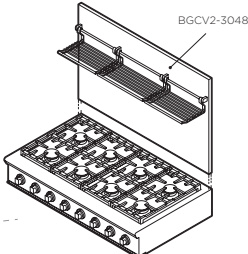
BACKGUARD OPTIONS



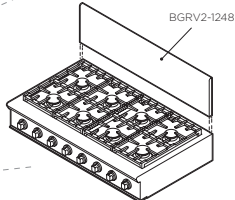
NO BACKGUARD



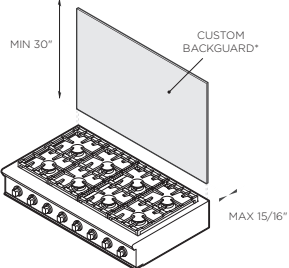
HIGH SHELF
HIGH BACKGUARD



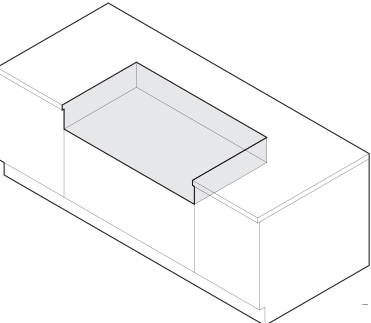
LOW SHELF
HIGH BACKGUARD



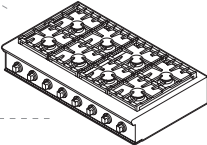
LOW BACKGUARD



CUSTOM FABRICATED* BACKGUARD
*Fabricated from non combustible materials only



ISLAND



NO BACKGUARD

Model no:
CPV2-485, CPV2-486GD,
CPV2-488, CPV2-486GL

DATE: 24.04.2018

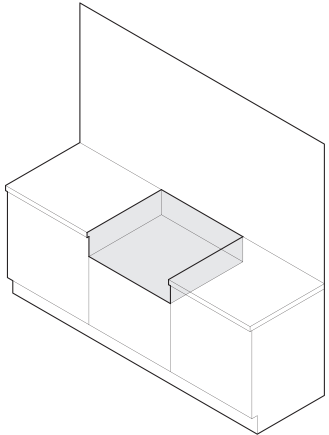
IMPORTANT: Throughout this guide, dimensions may vary by ±2mm (1/16").
Read the installation manual for detailed information on installing the product.
For full installation instructions and specifications visit fisherpaykel.com

FISHER & PAYKEL

VENTILATION REQUIREMENTS 48" Professional Gas Cooktop

1

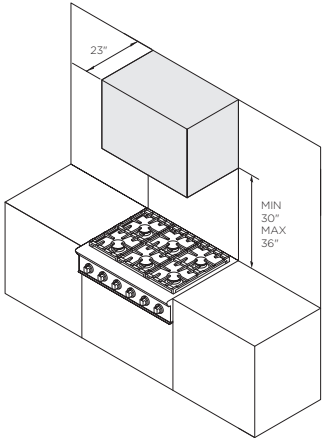
INSTALL TYPE



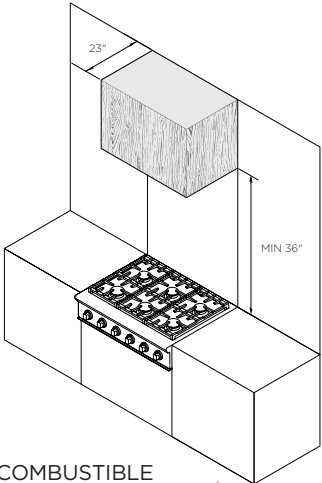
WALL

2

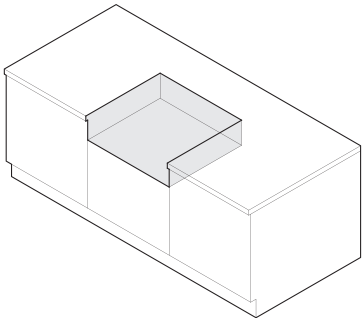
HOOD SURROUND MATERIAL



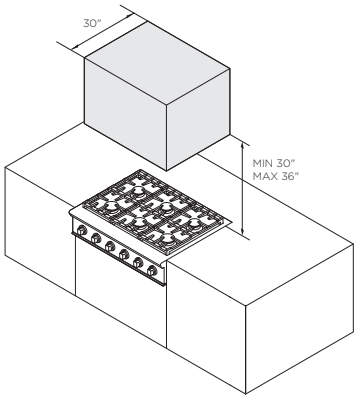
NON COMBUSTIBLE



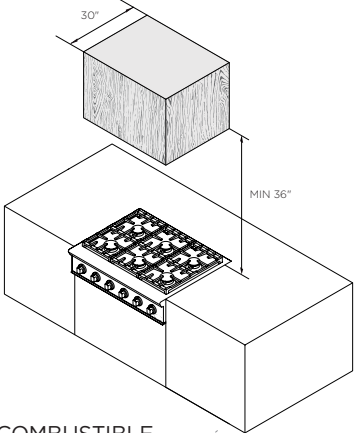
COMBUSTIBLE



ISLAND



NON COMBUSTIBLE



COMBUSTIBLE

Model no:

**CPV2-485, CPV2-486GD,
CPV2-488, CPV2-486GL**

Note: CPV2-366 illustrated but all dimensions apply to the above models

Specifications

Ventilation Unit	Wall Installation
Hood	23" Deep x Unit Width
Blower	1200 CFM

Ventilation Unit	Island Installation
Hood	30" Deep x Unit Width
Blower	1200 CFM

Note: A suitable hood must be installed above the cooktop.
The above indicates the minimum blower capacity recommended for hood ventilation.

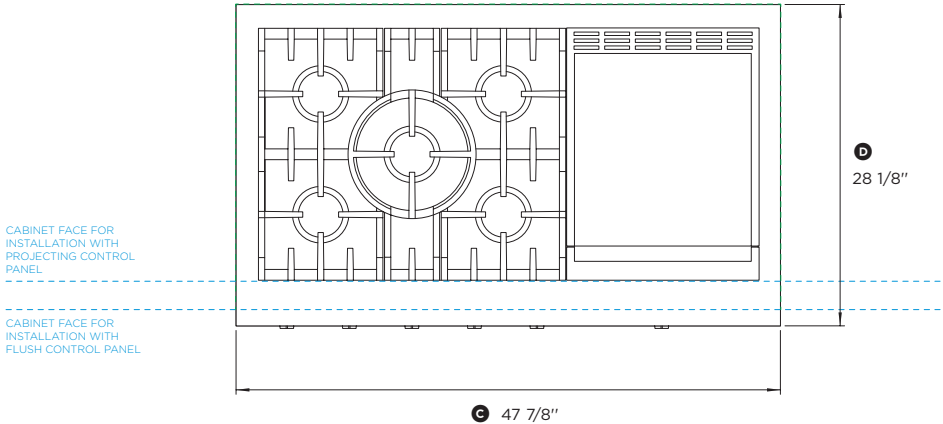
DATE: 24.04.2018

IMPORTANT: Throughout this guide, dimensions may vary by ±2mm (1/16").
Read the installation manual for detailed information on installing the product.
For full installation instructions and specifications visit fisherpaykel.com

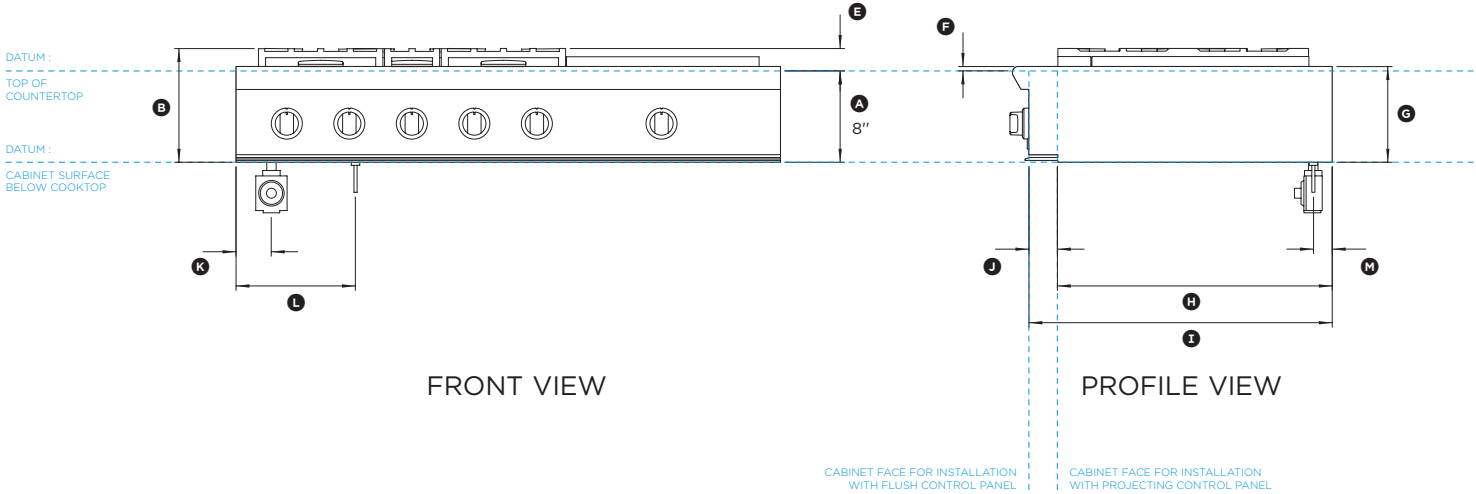
FISHER & PAYKEL

PRODUCT & CAVITY DIMENSIONS 48" Professional Gas Cooktop

Model no:
CPV2-485



PLAN VIEW



FRONT VIEW

PROFILE VIEW



Product Dimensions	in
Ⓐ Height below countertop datum to bottom of chassis	8"
Ⓑ Overall height of product (bottom of chassis to top of grates)	9 15/16"
Ⓒ Overall width of cooktop	47 7/8"
Ⓓ Overall depth of cooktop	28 1/8"
Ⓔ Height above countertop datum to top of grates	1 15/16"
Ⓕ Height from countertop datum to chassis top surface	3/8"
Ⓖ Height of chassis	8 3/8"
Ⓗ Depth from rear of chassis to cabinetry datum - projecting	24 3/16"
Ⓘ Depth from rear of chassis to cabinetry datum - flush	26 11/16"
Ⓚ Depth of control panel	2 1/2"
Ⓛ Distance from left edge of chassis to center line of gas inlet	3"
Ⓜ Distance from left edge of chassis to center line of power cord	10 1/2"
Ⓝ Distance from rear edge of chassis to center line of gas/power	1 5/8"

Cutout Dimensions	in
Overall height of cutout	8"
Overall width of cutout	min 48"
Overall depth of cutout for projecting control panel	max 24 3/16"
Overall depth of cutout for flush control panel	max 26 11/16"

INDICATES CABINETRY DATUM -----
INDICATES CUTOUT - - - - -

DATE: **24.04.2018**

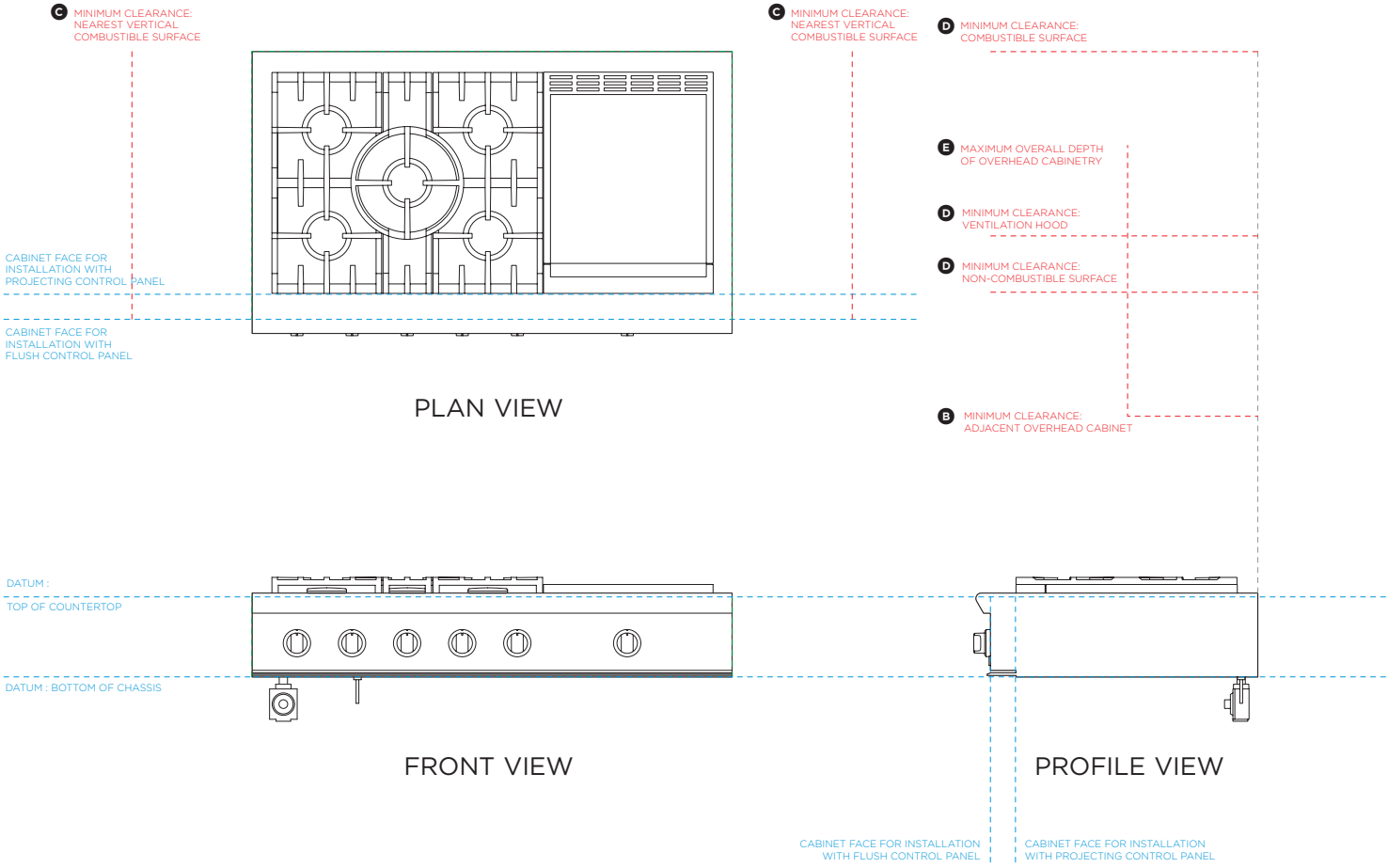
IMPORTANT: Throughout this guide, dimensions may vary by ±2mm (1/16"). Read the installation manual for detailed information on installing the product. For full installation instructions and specifications visit fisherpaykel.com

FISHER & PAYKEL

CLEARANCE DIMENSIONS 48" Professional Gas Cooktop

Model no:
CPV2-485

Cabinetry Dimensions	in
Ⓐ Minimum width of ventilation hood installed above cooktop - not shown*	48"
Ⓑ Minimum vertical distance between countertop and cabinet extending above counter	18"
Ⓒ Minimum clearance from left and right edge of range to nearest vertical combustible surface	12"
Ⓓ Minimum clearance from cooking surface to: - combustible surface centered above the cooking surface	54"
- combustible covering for ventilation hood centered above the cooking surface	36"
- non-combustible surface centered above the cooking surface	30"
Ⓔ Maximum overall depth of overhead cabinetry	13"



INDICATES CABINETRY CLEARANCES - - - - -
INDICATES PRODUCT DATUM - - - - -

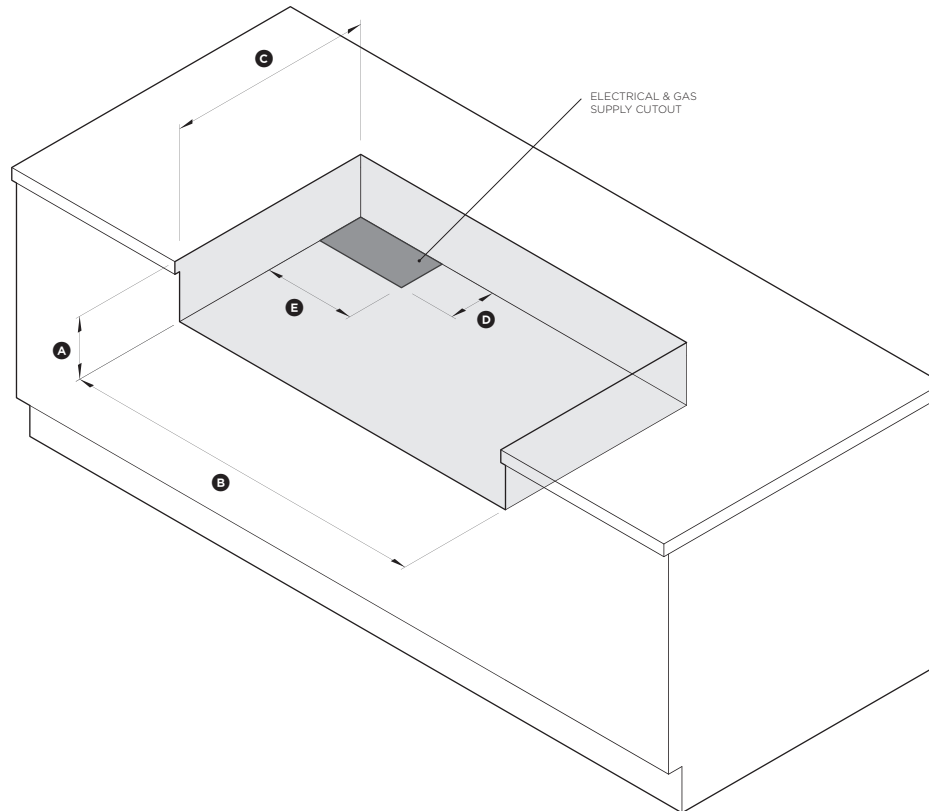


DATE: **24.04.2018**

IMPORTANT: Throughout this guide, dimensions may vary by ±2mm (1/16"). Read the installation manual for detailed information on installing the product. For full installation instructions and specifications visit fisherpaykel.com

FISHER & PAYKEL

CAVITY PREPARATION 48" Professional Gas Cooktop



Model no:
CPV2-485

Cavity Dimensions	in
Ⓐ Overall height of cutout	8"
Ⓑ Overall width of cutout	min 48"
Ⓒ Overall depth of cutout for projecting control panel	max 24 3/16"
Overall depth of cutout for flush control panel	max 26 11/16"

Electrical and Gas Supply Cutout	in
Ⓓ Depth of supply area from rear of cutout	6"
Ⓔ Width of supply area from left side of cutout	12"

Specifications	48" Models
Electrical	
Supply	120 VAC, 60Hz
Max. Current Draw	15 amp
Service	15 amp circuit
Gas - Natural	
Connection	1/2" NPT Minimum 5/8" dia. flex line
Supply Pressure	Supply Pressure: 6" to 9" W.C.
Gas - LP	
Connection	1/2" NPT Minimum 5/8" dia. flex line
Supply Pressure*	11" to 14" W.C.

A regulator is required at the LP source to provide a maximum pressure of 14" W.C. to the cooktop regulator.

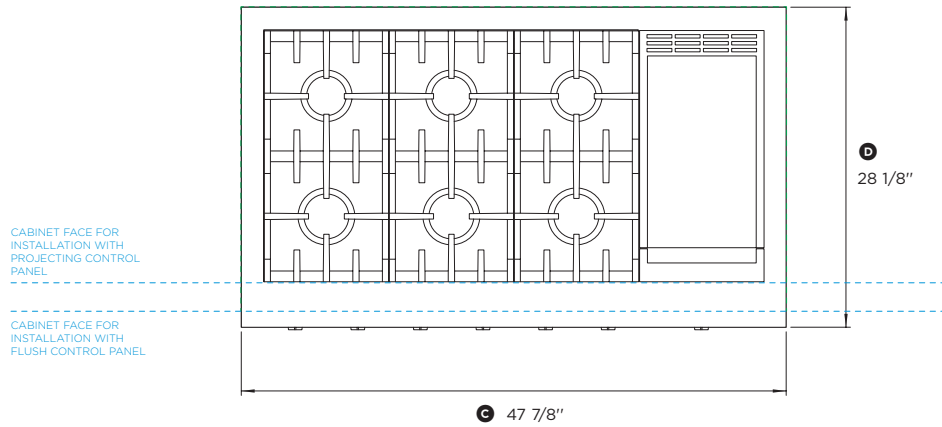
DATE: **24.04.2018**

IMPORTANT: Throughout this guide, dimensions may vary by ±2mm (1/16"). Read the installation manual for detailed information on installing the product. For full installation instructions and specifications visit fisherpaykel.com

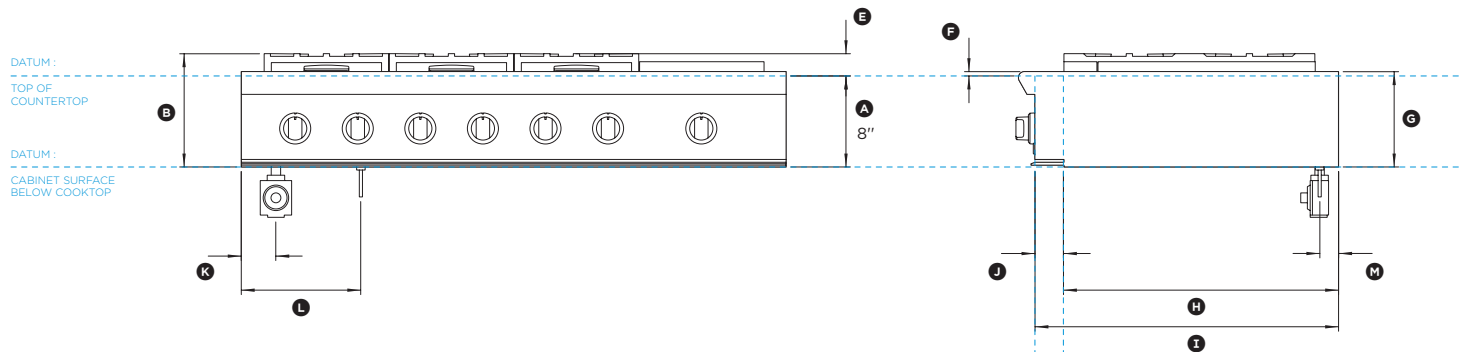
FISHER & PAYKEL

PRODUCT & CAVITY DIMENSIONS 48" Professional Gas Cooktop

Model no:
CPV2-486GD



PLAN VIEW



FRONT VIEW

PROFILE VIEW

CABINET FACE FOR INSTALLATION
WITH FLUSH CONTROL PANEL

CABINET FACE FOR INSTALLATION
WITH PROJECTING CONTROL PANEL



Product Dimensions	in
Ⓐ Height below countertop datum to bottom of chassis	8"
Ⓑ Overall height of product (bottom of chassis to top of grates)	9 15/16"
Ⓒ Overall width of cooktop	47 7/8"
Ⓓ Overall depth of cooktop	28 1/8"
Ⓔ Height above countertop datum to top of grates	1 15/16"
Ⓕ Height from countertop datum to chassis top surface	3/8"
Ⓖ Height of chassis	8 3/8"
Ⓗ Depth from rear of chassis to cabinetry datum - projecting	24 3/16"
Ⓘ Depth from rear of chassis to cabinetry datum - flush	26 11/16"
Ⓚ Depth of control panel	2 1/2"
Ⓛ Distance from left edge of chassis to center line of gas inlet	3"
Ⓜ Distance from left edge of chassis to center line of power cord	10 1/2"
Ⓝ Distance from rear edge of chassis to center line of gas/power	1 5/8"

Cutout Dimensions	in
Overall height of cutout	8"
Overall width of cutout	min 48"
Overall depth of cutout for projecting control panel	max 24 3/16"
Overall depth of cutout for flush control panel	max 26 11/16"

INDICATES CABINETRY DATUM -----
INDICATES CUTOUT - - - - -

DATE: **24.04.2018**

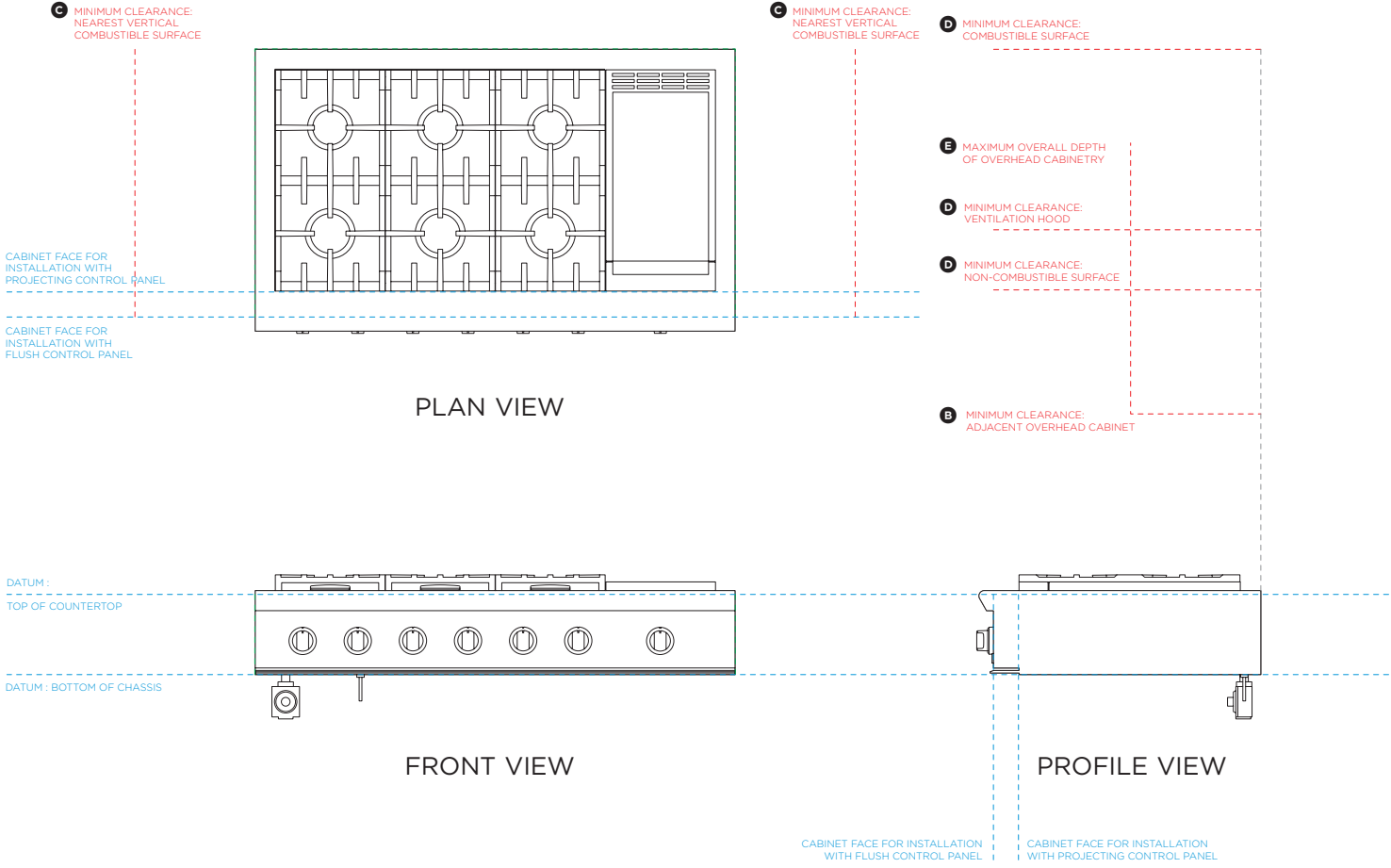
IMPORTANT: Throughout this guide, dimensions may vary by ±2mm (1/16"). Read the installation manual for detailed information on installing the product. For full installation instructions and specifications visit fisherpaykel.com

FISHER & PAYKEL

CLEARANCE DIMENSIONS 48" Professional Gas Cooktop

Model no:
CPV2-486GD

Cabinetry Dimensions	in
Ⓐ Minimum width of ventilation hood installed above cooktop - not shown*	48"
Ⓑ Minimum vertical distance between countertop and cabinet extending above counter	18"
Ⓒ Minimum clearance from left and right edge of range to nearest vertical combustible surface	12"
Ⓓ Minimum clearance from cooking surface to: - combustible surface centered above the cooking surface	54"
- combustible covering for ventilation hood centered above the cooking surface	36"
- non-combustible surface centered above the cooking surface	30"
Ⓔ Maximum overall depth of overhead cabinetry	13"



INDICATES CABINTRY CLEARANCES - - - - -
INDICATES PRODUCT DATUM - - - - -

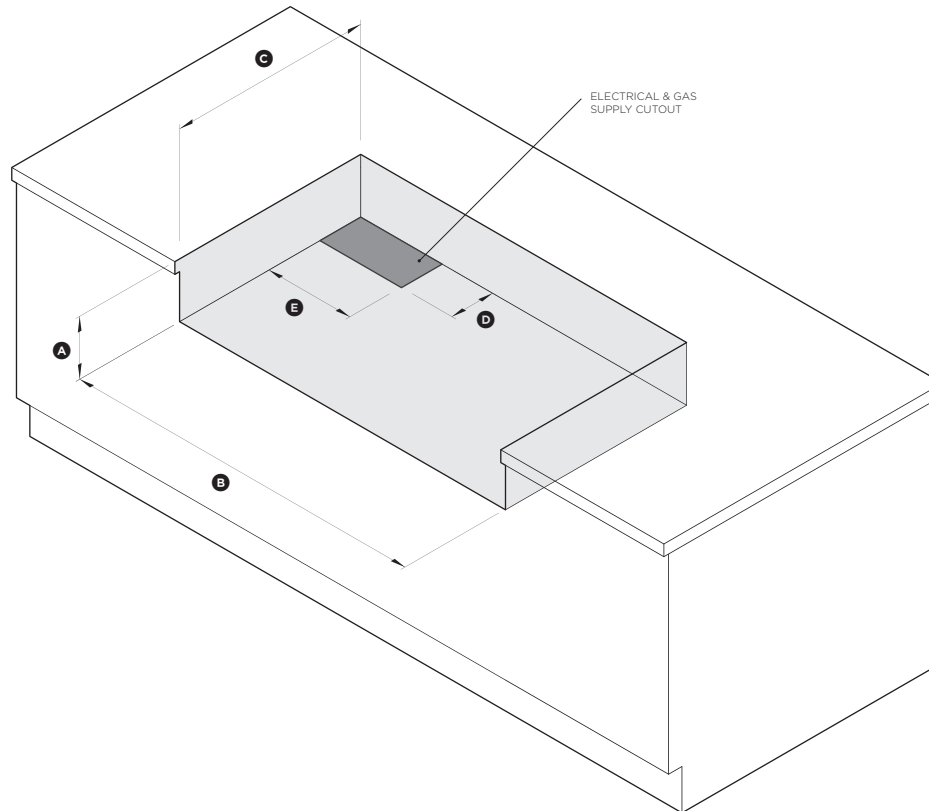


DATE: **24.04.2018**

IMPORTANT: Throughout this guide, dimensions may vary by ±2mm (1/16"). Read the installation manual for detailed information on installing the product. For full installation instructions and specifications visit fisherpaykel.com

FISHER & PAYKEL

CAVITY PREPARATION 48" Professional Gas Cooktop



Model no:
CPV2-486GD

Cavity Dimensions	in
Ⓐ Overall height of cutout	8"
Ⓑ Overall width of cutout	min 48"
Ⓒ Overall depth of cutout for projecting control panel	max 24 3/16"
Overall depth of cutout for flush control panel	max 26 11/16"

Electrical and Gas Supply Cutout	in
Ⓓ Depth of supply area from rear of cutout	6"
Ⓔ Width of supply area from left side of cutout	12"

Specifications	48" Models
Electrical	
Supply	120 VAC, 60Hz
Max. Current Draw	15 amp
Service	15 amp circuit

Gas - Natural	
Connection	1/2" NPT Minimum 5/8" dia. flex line
Supply Pressure	Supply Pressure: 6" to 9" W.C.
Gas - LP	
Connection	1/2" NPT Minimum 5/8" dia. flex line
Supply Pressure*	11" to 14" W.C.

A regulator is required at the LP source to provide a maximum pressure of 14" W.C. to the cooktop regulator.

DATE: **24.04.2018**

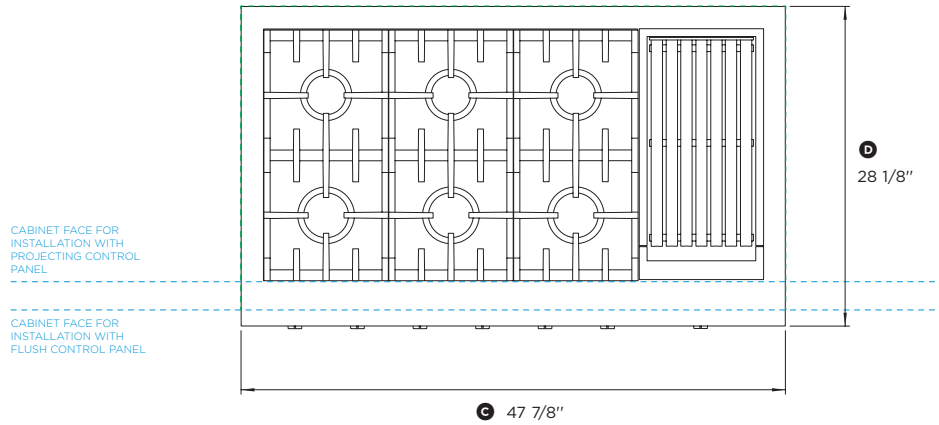
IMPORTANT: Throughout this guide, dimensions may vary by $\pm 2\text{mm}$ (1/16"). Read the installation manual for detailed information on installing the product. For full installation instructions and specifications visit fisherpaykel.com

FISHER & PAYKEL

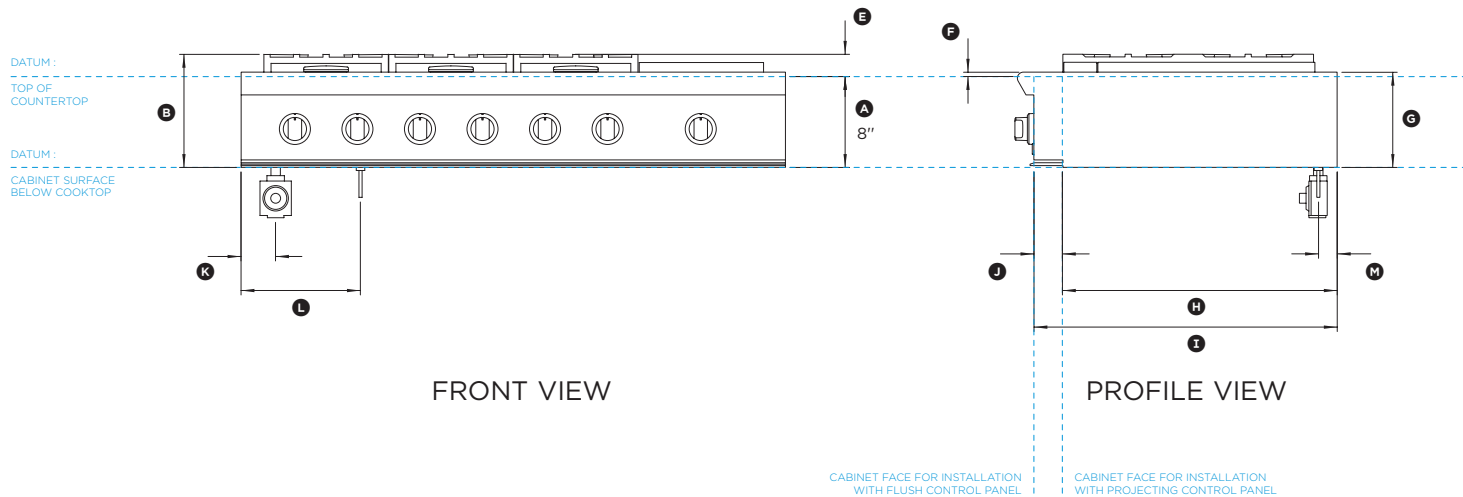
PRODUCT & CAVITY DIMENSIONS 48" Professional Gas Cooktop

Model no:
CPV2-486GL

Product Dimensions	in
Ⓐ Height below countertop datum to bottom of chassis	8"
Ⓑ Overall height of product (bottom of chassis to top of grates)	9 15/16"
Ⓒ Overall width of cooktop	47 7/8"
Ⓓ Overall depth of cooktop	28 1/8"
Ⓔ Height above countertop datum to top of grates	1 15/16"
Ⓕ Height from countertop datum to chassis top surface	3/8"
Ⓖ Height of chassis	8 3/8"
Ⓗ Depth from rear of chassis to cabinetry datum - projecting	24 3/16"
Ⓘ Depth from rear of chassis to cabinetry datum - flush	26 11/16"
Ⓚ Depth of control panel	2 1/2"
Ⓛ Distance from left edge of chassis to center line of gas inlet	3"
Ⓜ Distance from left edge of chassis to center line of power cord	10 1/2"
Ⓝ Distance from rear edge of chassis to center line of gas/power	1 5/8"



PLAN VIEW

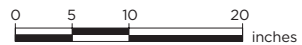


FRONT VIEW

PROFILE VIEW

Cutout Dimensions	in
Overall height of cutout	8"
Overall width of cutout	min 48"
Overall depth of cutout for projecting control panel	max
	24 3/16"
Overall depth of cutout for flush control panel	max
	26 11/16"

INDICATES CABINETRY DATUM -----
INDICATES CUTOUT - - - - -



DATE: **24.04.2018**

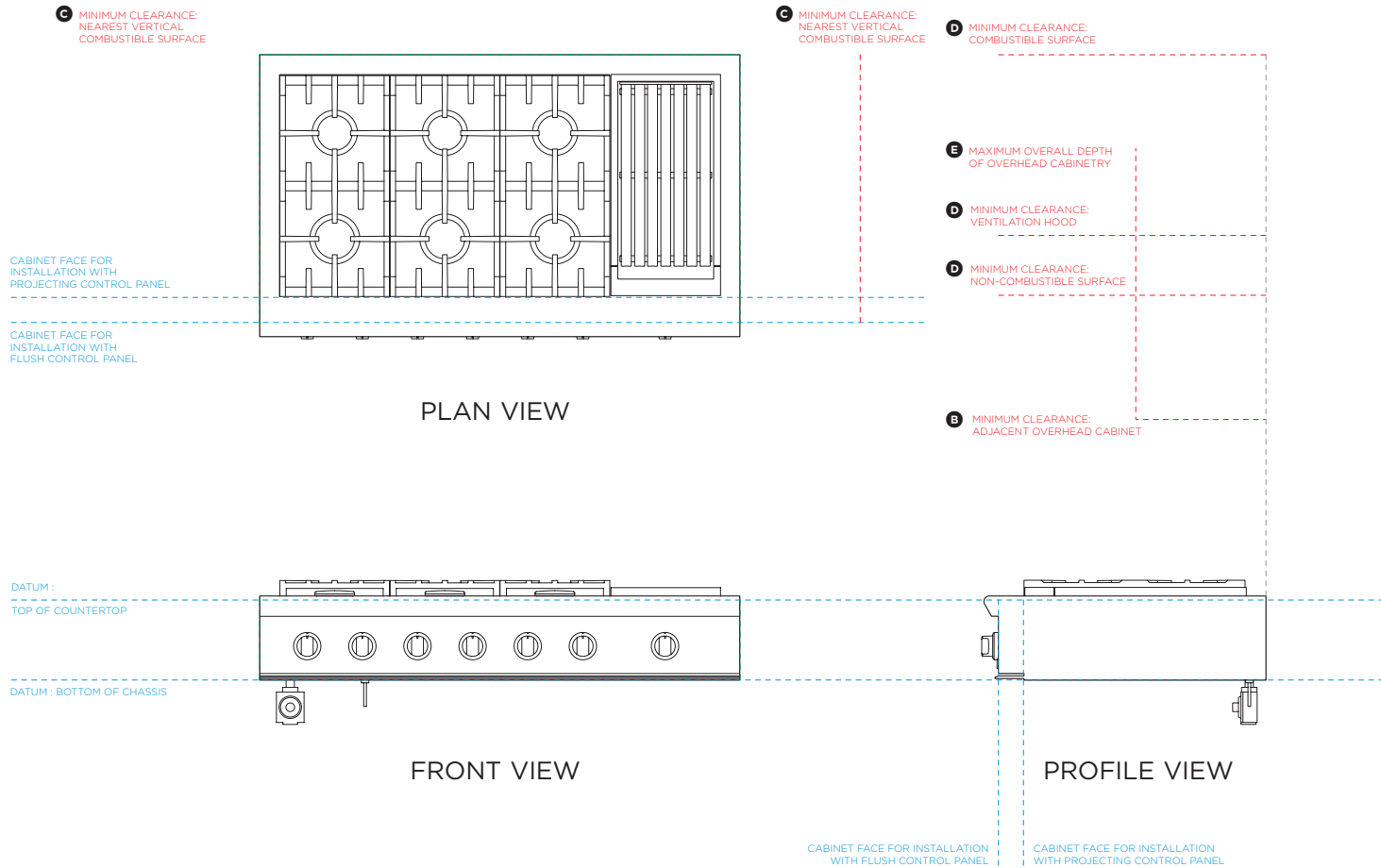
IMPORTANT: Throughout this guide, dimensions may vary by $\pm 2\text{mm}$ (1/16"). Read the installation manual for detailed information on installing the product. For full installation instructions and specifications visit fisherpaykel.com

FISHER & PAYKEL

CLEARANCE DIMENSIONS 48" Professional Gas Cooktop

Model no:
CPV2-486GL

Cabinetry Dimensions	in
Ⓐ Minimum width of ventilation hood installed above cooktop - not shown*	48"
Ⓑ Minimum vertical distance between countertop and cabinet extending above counter	18"
Ⓒ Minimum clearance from left and right edge of range to nearest vertical combustible surface	12"
Ⓓ Minimum clearance from cooking surface to: - combustible surface centered above the cooking surface - combustible covering for ventilation hood centered above the cooking surface - non-combustible surface centered above the cooking surface	54" 36" 30"
Ⓔ Maximum overall depth of overhead cabinetry	13"



INDICATES CABINERY CLEARANCES -----

INDICATES PRODUCT DATUM -----

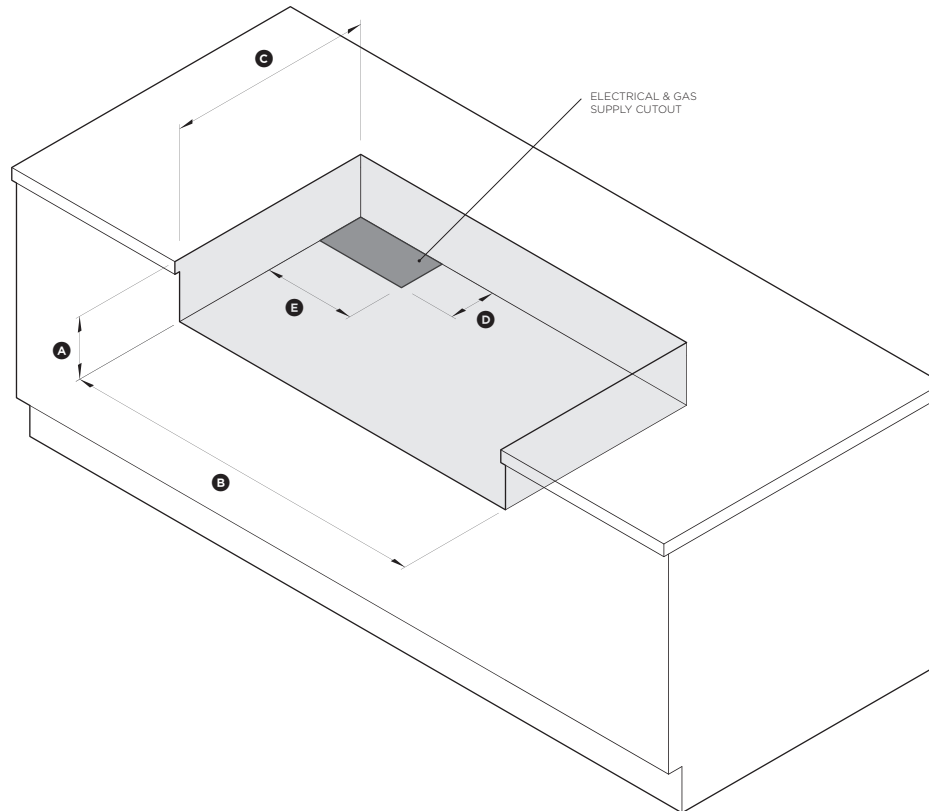


DATE: **24.04.2018**

IMPORTANT: Throughout this guide, dimensions may vary by $\pm 2\text{mm}$ (1/16"). Read the installation manual for detailed information on installing the product. For full installation instructions and specifications visit fisherpaykel.com

FISHER & PAYKEL

CAVITY PREPARATION 48" Professional Gas Cooktop



Model no:
CPV2-486GL

Cavity Dimensions	in
Ⓐ Overall height of cutout	8"
Ⓑ Overall width of cutout	min 48"
Ⓒ Overall depth of cutout for projecting control panel	max 24 3/16"
Overall depth of cutout for flush control panel	max 26 11/16"

Electrical and Gas Supply Cutout	in
Ⓓ Depth of supply area from rear of cutout	6"
Ⓔ Width of supply area from left side of cutout	12"

Specifications	48" Models
Electrical	
Supply	120 VAC, 60Hz
Max. Current Draw	15 amp
Service	15 amp circuit
Gas - Natural	
Connection	1/2" NPT Minimum 5/8" dia. flex line
Supply Pressure	Supply Pressure: 6" to 9" W.C.
Gas - LP	
Connection	1/2" NPT Minimum 5/8" dia. flex line
Supply Pressure*	11" to 14" W.C.

A regulator is required at the LP source to provide a maximum pressure of 14" W.C. to the cooktop regulator.

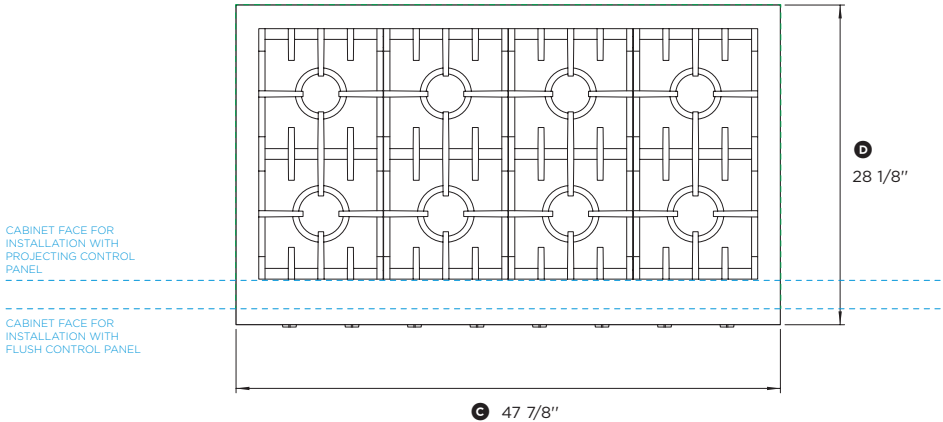
DATE: **24.04.2018**

IMPORTANT: Throughout this guide, dimensions may vary by ±2mm (1/16"). Read the installation manual for detailed information on installing the product. For full installation instructions and specifications visit fisherpaykel.com

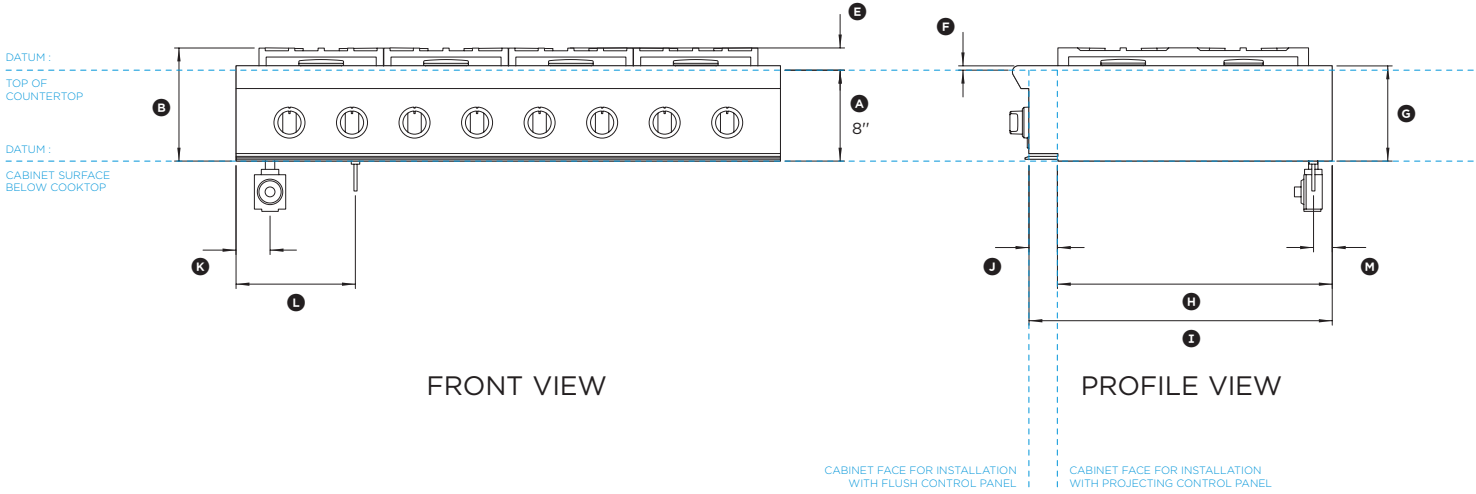
FISHER & PAYKEL

PRODUCT & CAVITY DIMENSIONS 48" Professional Gas Cooktop

Model no:
CPV2-488



PLAN VIEW



FRONT VIEW

PROFILE VIEW



Product Dimensions	in
Ⓐ Height below countertop datum to bottom of chassis	8"
Ⓑ Overall height of product (bottom of chassis to top of grates)	9 15/16"
Ⓒ Overall width of cooktop	47 7/8"
Ⓓ Overall depth of cooktop	28 1/8"
Ⓔ Height above countertop datum to top of grates	1 15/16"
Ⓕ Height from countertop datum to chassis top surface	3/8"
Ⓖ Height of chassis	8 3/8"
Ⓗ Depth from rear of chassis to cabinetry datum - projecting	24 3/16"
Ⓘ Depth from rear of chassis to cabinetry datum - flush	26 11/16"
Ⓚ Depth of control panel	2 1/2"
Ⓛ Distance from left edge of chassis to center line of gas inlet	3"
Ⓝ Distance from left edge of chassis to center line of power cord	10 1/2"
Ⓞ Distance from rear edge of chassis to center line of gas/power	1 5/8"

Cutout Dimensions	in
Overall height of cutout	8"
Overall width of cutout	min 48"
Overall depth of cutout for projecting control panel	max 24 3/16"
Overall depth of cutout for flush control panel	max 26 11/16"

INDICATES CABINETRY DATUM -----
INDICATES CUTOUT -----

DATE: **24.04.2018**

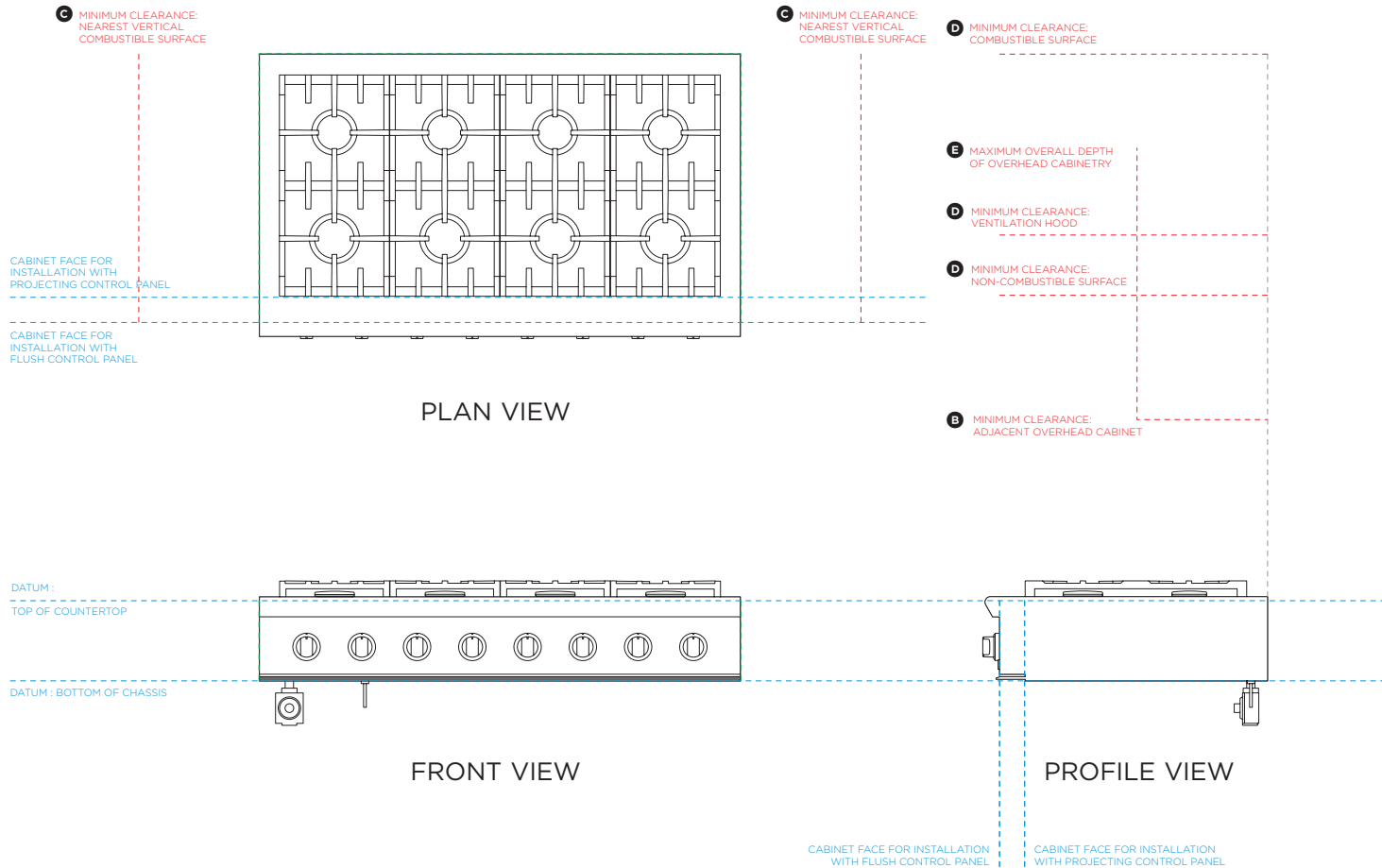
IMPORTANT: Throughout this guide, dimensions may vary by ±2mm (1/16"). Read the installation manual for detailed information on installing the product. For full installation instructions and specifications visit fisherpaykel.com

FISHER & PAYKEL

CLEARANCE DIMENSIONS 48" Professional Gas Cooktop

Model no:
CPV2-488

Cabinetry Dimensions	in
Ⓐ Minimum width of ventilation hood installed above cooktop - not shown*	48"
ⓓ Minimum vertical distance between countertop and cabinet extending above counter	18"
Ⓒ Minimum clearance from left and right edge of range to nearest vertical combustible surface	12"
ⓐ Minimum clearance from cooking surface to: - combustible surface centered above the cooking surface	54"
- combustible covering for ventilation hood centered above the cooking surface	36"
- non-combustible surface centered above the cooking surface	30"
ⓔ Maximum overall depth of overhead cabinetry	13"



INDICATES CABINETRY CLEARANCES - - - - -
INDICATES PRODUCT DATUM - - - - -

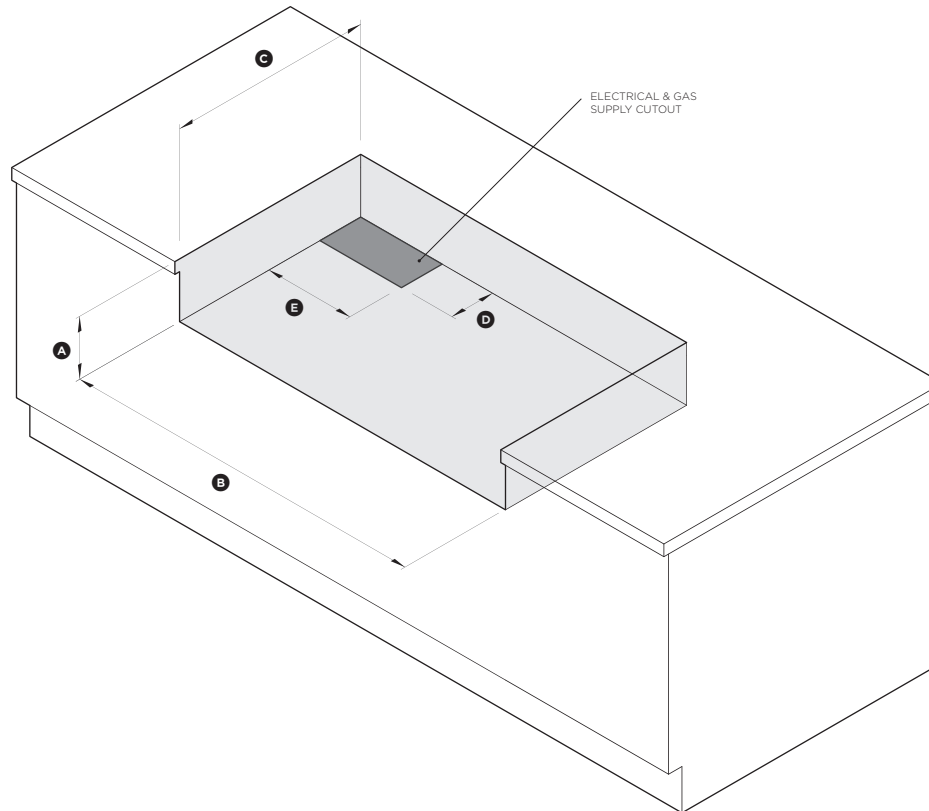


DATE: **24.04.2018**

IMPORTANT: Throughout this guide, dimensions may vary by $\pm 2\text{mm}$ (1/16"). Read the installation manual for detailed information on installing the product. For full installation instructions and specifications visit fisherpaykel.com

FISHER & PAYKEL

CAVITY PREPARATION 48" Professional Gas Cooktop



Model no:
CPV2-488

Cavity Dimensions	in
Ⓐ Overall height of cutout	8"
Ⓑ Overall width of cutout	min 48"
Ⓒ Overall depth of cutout for projecting control panel	max 24 3/16"
Overall depth of cutout for flush control panel	max 26 11/16"

Electrical and Gas Supply Cutout	in
Ⓓ Depth of supply area from rear of cutout	6"
Ⓔ Width of supply area from left side of cutout	12"

Specifications	48" Models
Electrical	
Supply	120 VAC, 60Hz
Max. Current Draw	15 amp
Service	15 amp circuit
Gas - Natural	
Connection	1/2" NPT Minimum 5/8" dia. flex line
Supply Pressure	Supply Pressure: 6" to 9" W.C.
Gas - LP	
Connection	1/2" NPT Minimum 5/8" dia. flex line
Supply Pressure*	11" to 14" W.C.

A regulator is required at the LP source to provide a maximum pressure of 14" W.C. to the cooktop regulator.

DATE: **24.04.2018**

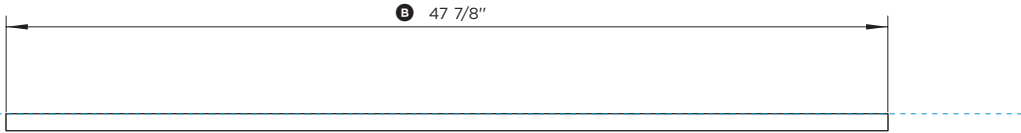
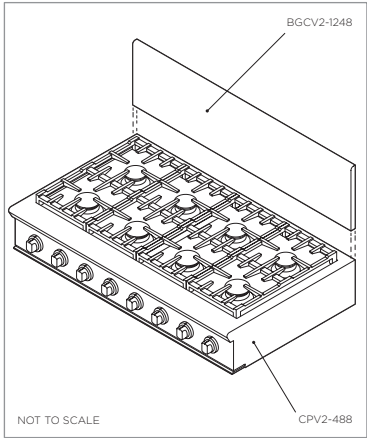
IMPORTANT: Throughout this guide, dimensions may vary by ±2mm (1/16"). Read the installation manual for detailed information on installing the product. For full installation instructions and specifications visit fisherpaykel.com

FISHER & PAYKEL

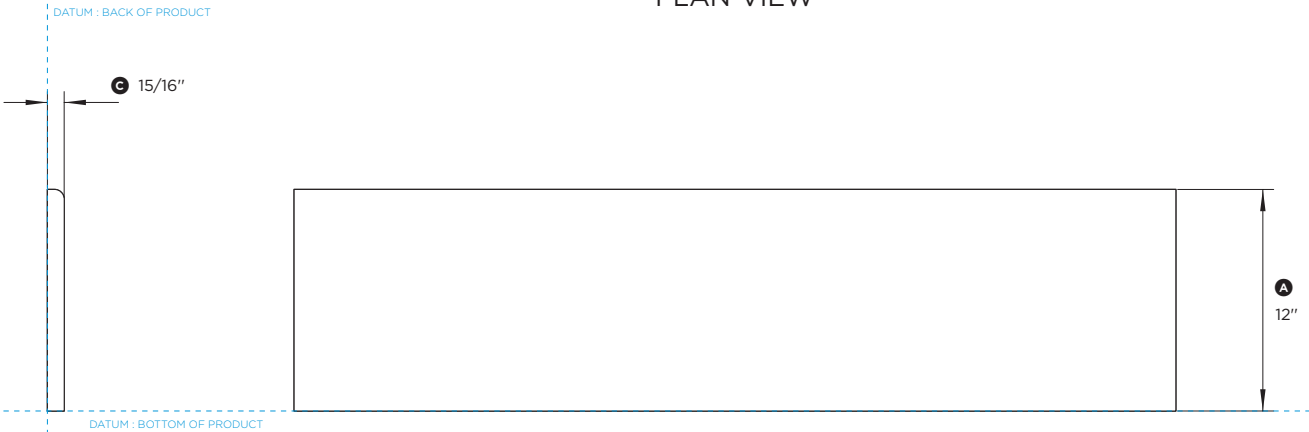
PRODUCT DIMENSIONS 48" Professional Cooktop Backguard

Model no:
BGCV2-1248

Product Dimensions	in
Ⓐ Overall height of backguard	12"
Ⓑ Overall width of backguard	47 7/8"
Ⓒ Overall depth of backguard	15/16"

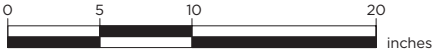


PLAN VIEW



PROFILE VIEW

FRONT VIEW



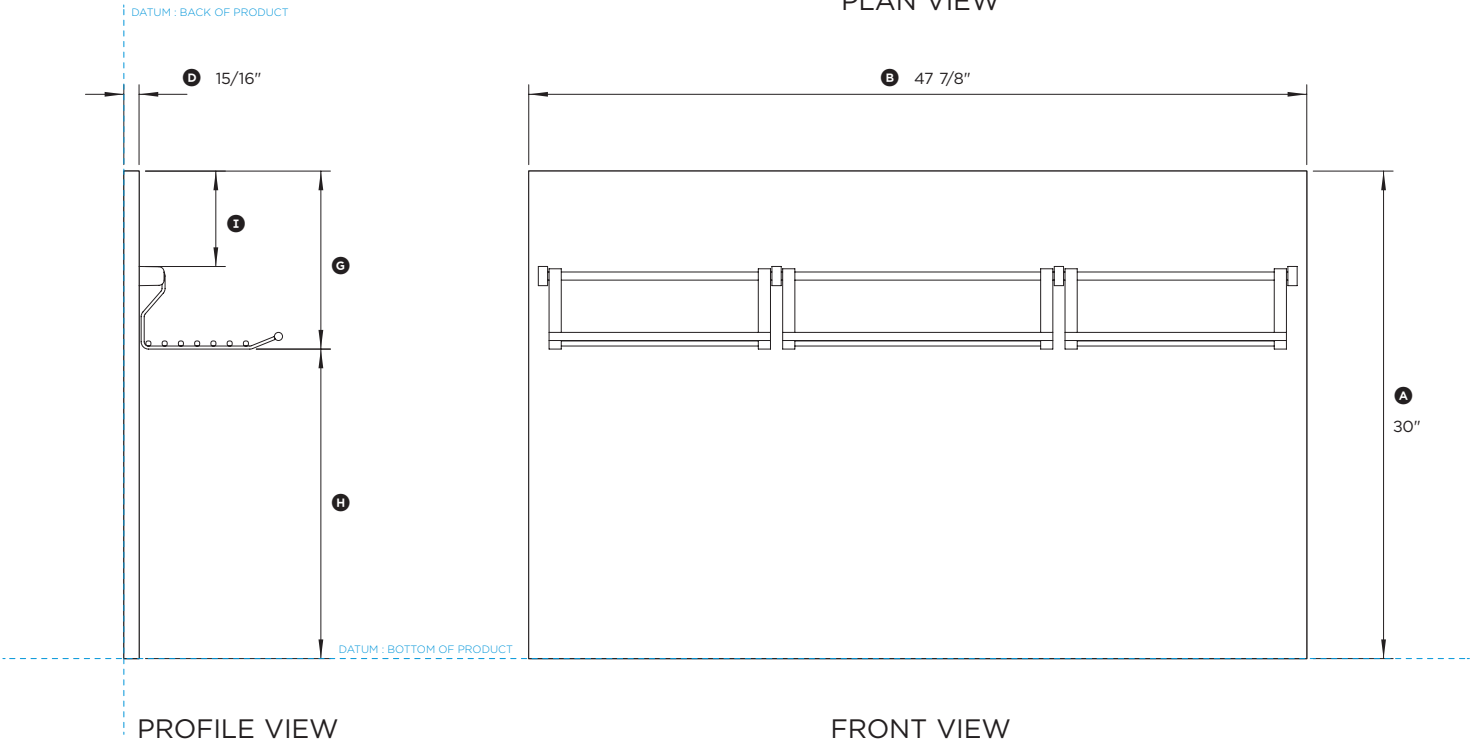
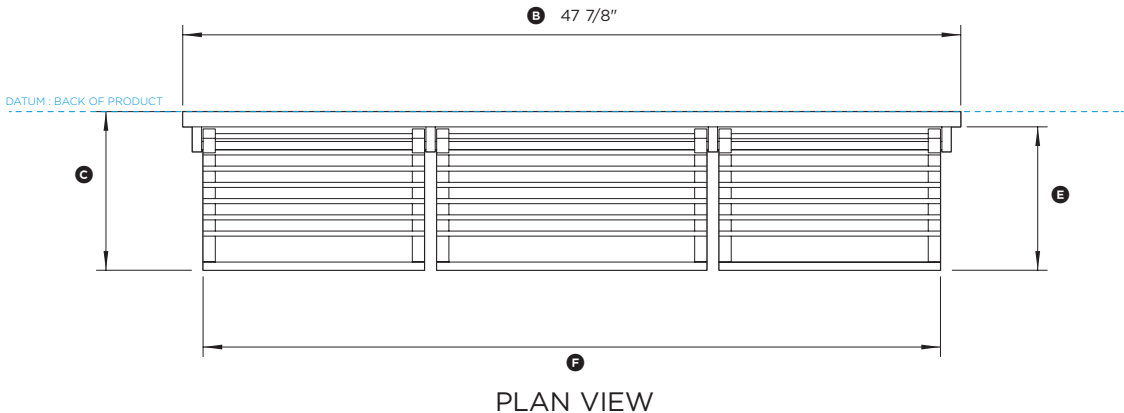
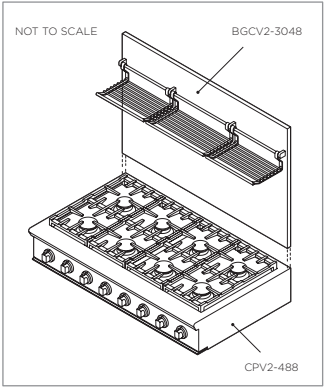
INDICATES PRODUCT DATUM -----

DATE: **24.04.2018**

IMPORTANT: Throughout this guide, dimensions may vary by ±2mm (1/16"). Read the installation manual for detailed information on installing the product. For full installation instructions and specifications visit fisherpaykel.com

FISHER & PAYKEL

PRODUCT DIMENSIONS 48" Professional Cooktop Backguard



Model no:
BGCV2-3048

Product Dimensions	in
Ⓐ Overall height of backguard	30"
Ⓑ Overall width of backguard	47 7/8"
Ⓒ Overall depth of backguard and racks	9 3/4"
Ⓓ Depth of backguard	15/16"
Ⓔ Depth of racks	8 13/16"
Ⓕ Width of racks	45 3/8"
Ⓖ Distance from top of backguard to bottom of racks	10 15/16"
Ⓗ Distance from bottom of backguard to bottom of racks	19 1/16"
Ⓙ Distance from top of backguard to top of brackets	5 7/8"

INDICATES PRODUCT DATUM -----

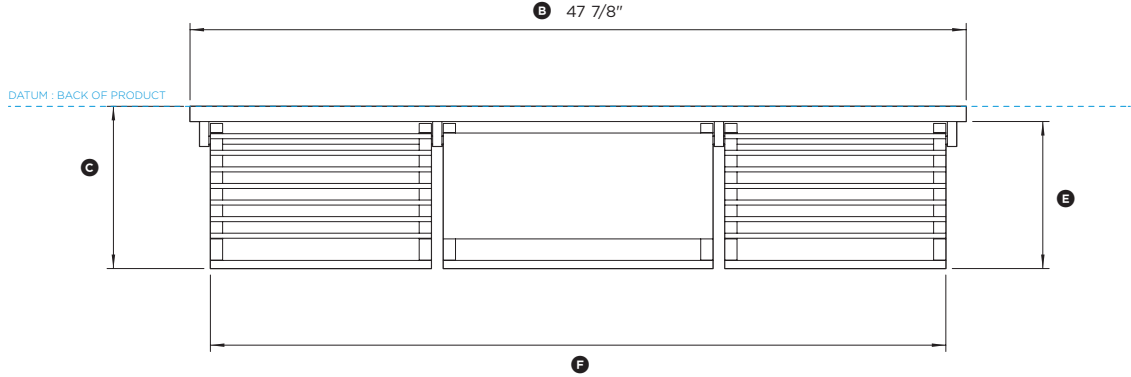
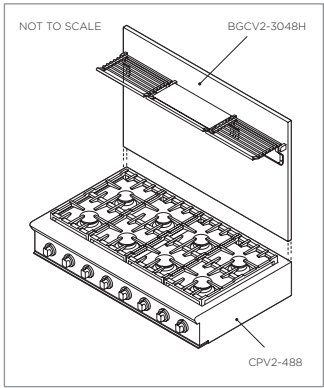


DATE: **24.04.2018**

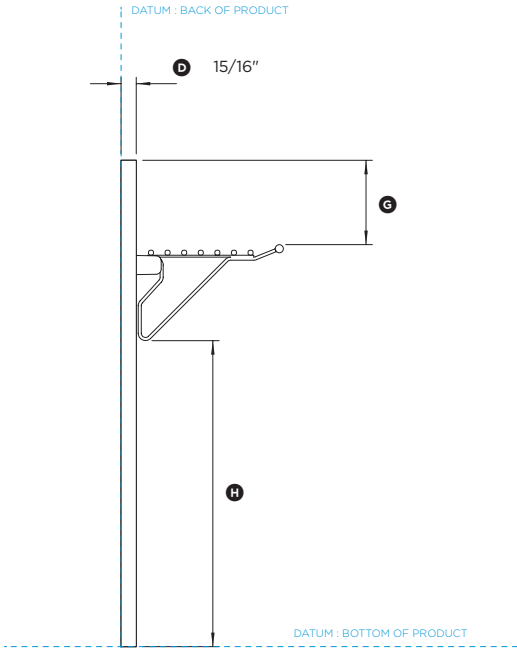
IMPORTANT: Throughout this guide, dimensions may vary by ±2mm (1/16"). Read the installation manual for detailed information on installing the product. For full installation instructions and specifications visit fisherpaykel.com

FISHER & PAYKEL

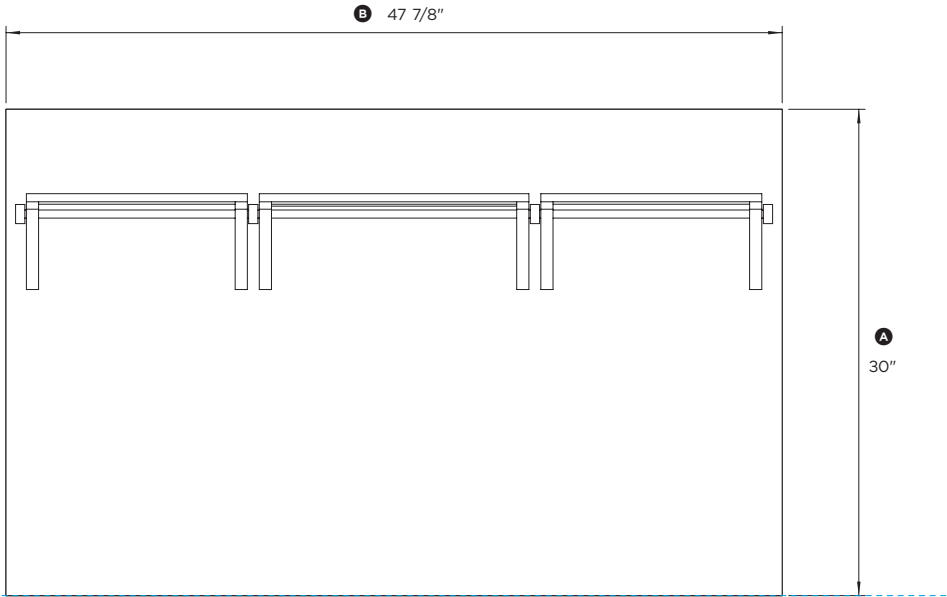
PRODUCT DIMENSIONS 48" Professional Cooktop Backguard



PLAN VIEW



PROFILE VIEW

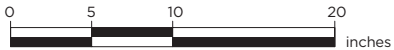


FRONT VIEW

Model no:
BGCV2-3048H

Product Dimensions	in
Ⓐ Overall height of backguard	30"
Ⓑ Overall width of backguard	47 7/8"
Ⓒ Overall depth of backguard and racks	10"
Ⓓ Depth of backguard	15/16"
Ⓔ Depth of racks	9 1/16"
Ⓕ Width of racks	45 3/8"
Ⓖ Distance from top of backguard to top of racks	5 3/8"
Ⓗ Distance from bottom of backguard to bottom of racks	18 7/8"

INDICATES PRODUCT DATUM -----



DATE: **24.04.2018**

IMPORTANT: Throughout this guide, dimensions may vary by ±2mm (1/16"). Read the installation manual for detailed information on installing the product. For full installation instructions and specifications visit fisherpaykel.com

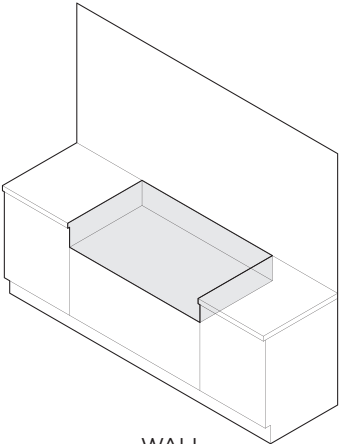
METRIC

FISHER & PAYKEL

KEY DESIGN DECISIONS 48" Professional Range

1

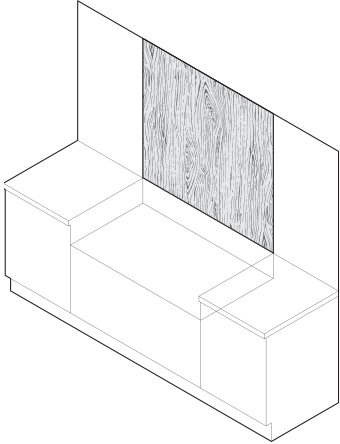
INSTALL TYPE



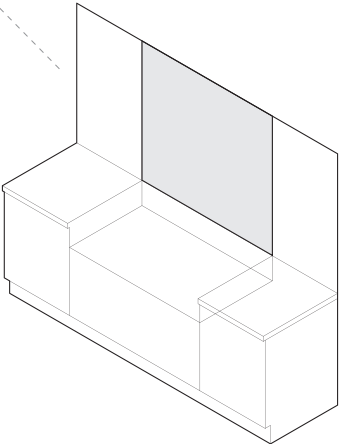
WALL

2

REAR SURFACE



COMBUSTIBLE

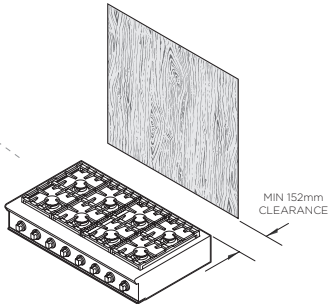


NON COMBUSTIBLE

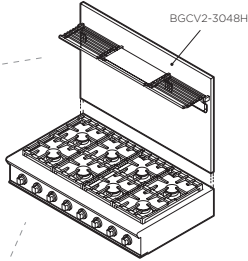
ISLAND

3

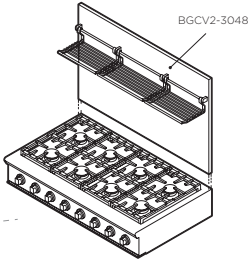
BACKGUARD OPTIONS



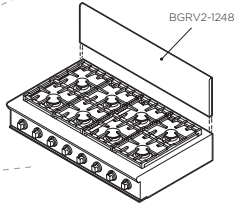
NO BACKGUARD



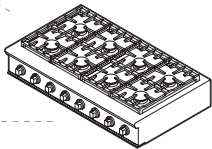
HIGH SHELF
HIGH BACKGUARD



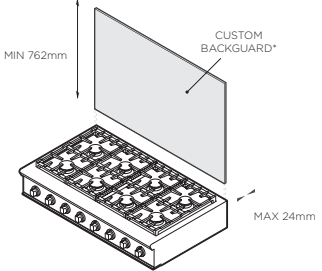
LOW SHELF
HIGH BACKGUARD



LOW BACKGUARD



NO BACKGUARD



CUSTOM FABRICATED* BACKGUARD
*Fabricated from non combustible materials only

Model no:
CPV2-485, CPV2-486GD,
CPV2-488, CPV2-486GL

DATE: 24.04.2018

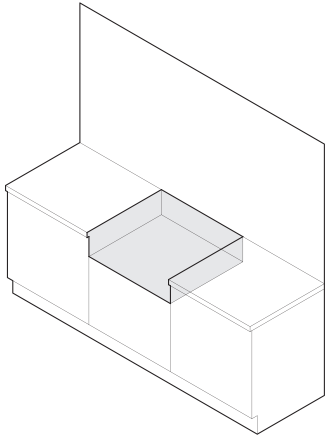
IMPORTANT: Throughout this guide, dimensions may vary by ±2mm (1/16").
Read the installation manual for detailed information on installing the product.
For full installation instructions and specifications visit fisherpaykel.com

FISHER & PAYKEL

VENTILATION REQUIREMENTS 48" Professional Gas Cooktop

1

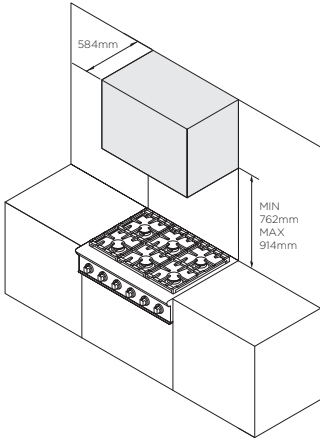
INSTALL TYPE



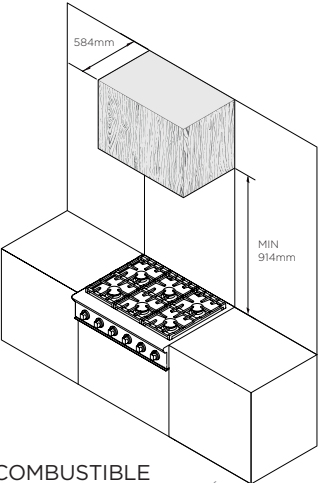
WALL

2

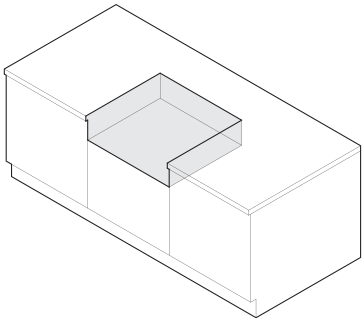
HOOD SURROUND MATERIAL



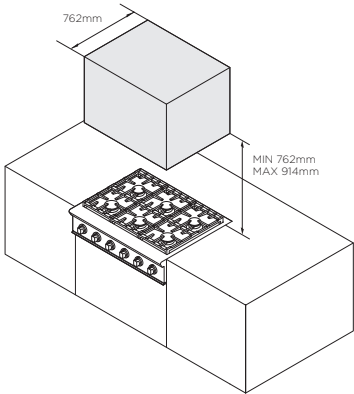
NON COMBUSTIBLE



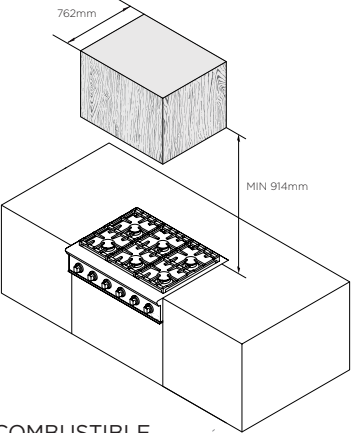
COMBUSTIBLE



ISLAND



NON COMBUSTIBLE



COMBUSTIBLE

Model no:
**CPV2-485, CPV2-486GD,
CPV2-488, CPV2-486GL**
Note: CPV2-366 illustrated but all dimensions apply to the above models

Specifications	
Ventilation Unit	Wall Installation
Hood	584mm Deep x Unit Width
Blower	1200 CFM
Ventilation Unit	Island Installation
Hood	762mm Deep x Unit Width
Blower	1200 CFM

Note: A suitable hood must be installed above the cooktop.
The above indicates the minimum blower capacity recommended for hood ventilation.

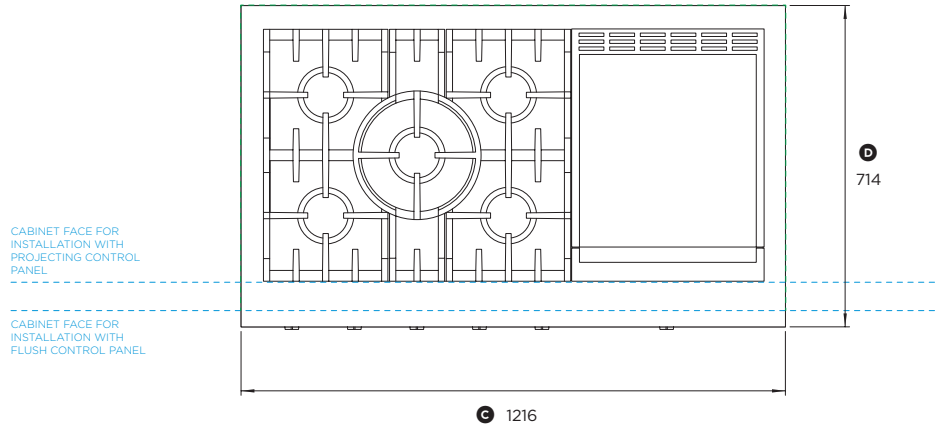
DATE: 24.04.2018

IMPORTANT: Throughout this guide, dimensions may vary by ±2mm (1/16").
Read the installation manual for detailed information on installing the product.
For full installation instructions and specifications visit fisherpaykel.com

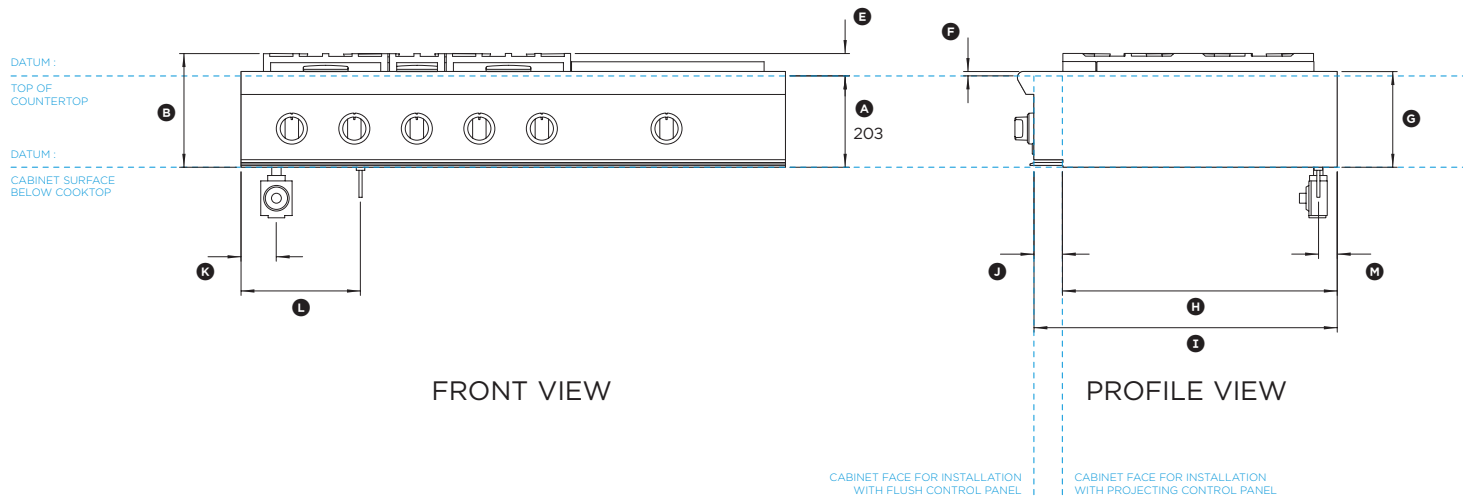
FISHER & PAYKEL

PRODUCT & CAVITY DIMENSIONS 48" Professional Gas Cooktop

Model no:
CPV2-485



PLAN VIEW



FRONT VIEW

PROFILE VIEW



Product Dimensions	mm
Ⓐ Height below countertop datum to bottom of chassis	203
Ⓑ Overall height of product (bottom of chassis to top of grates)	253
Ⓒ Overall width of cooktop	1216
Ⓓ Overall depth of cooktop	714
Ⓔ Height above countertop datum to top of grates	50
Ⓕ Height from countertop datum to chassis top surface	10
Ⓖ Height of chassis	213
Ⓗ Depth from rear of chassis to cabinetry datum - projecting	614
Ⓘ Depth from rear of chassis to cabinetry datum - flush	677
Ⓚ Depth of control panel	64
Ⓛ Distance from left edge of chassis to centre line of gas inlet	77
Ⓜ Distance from left edge of chassis to centre line of power cord	267
Ⓝ Distance from rear edge of chassis to centre line of gas/power	42

Cutout Dimensions	mm
Overall height of cutout	203
Overall width of cutout	min 1219
Overall depth of cutout for projecting control panel	max 614
Overall depth of cutout for flush control panel	max 678

INDICATES CABINETRY DATUM -----
INDICATES CUTOUT - - - - -

DATE: **24.04.2018**

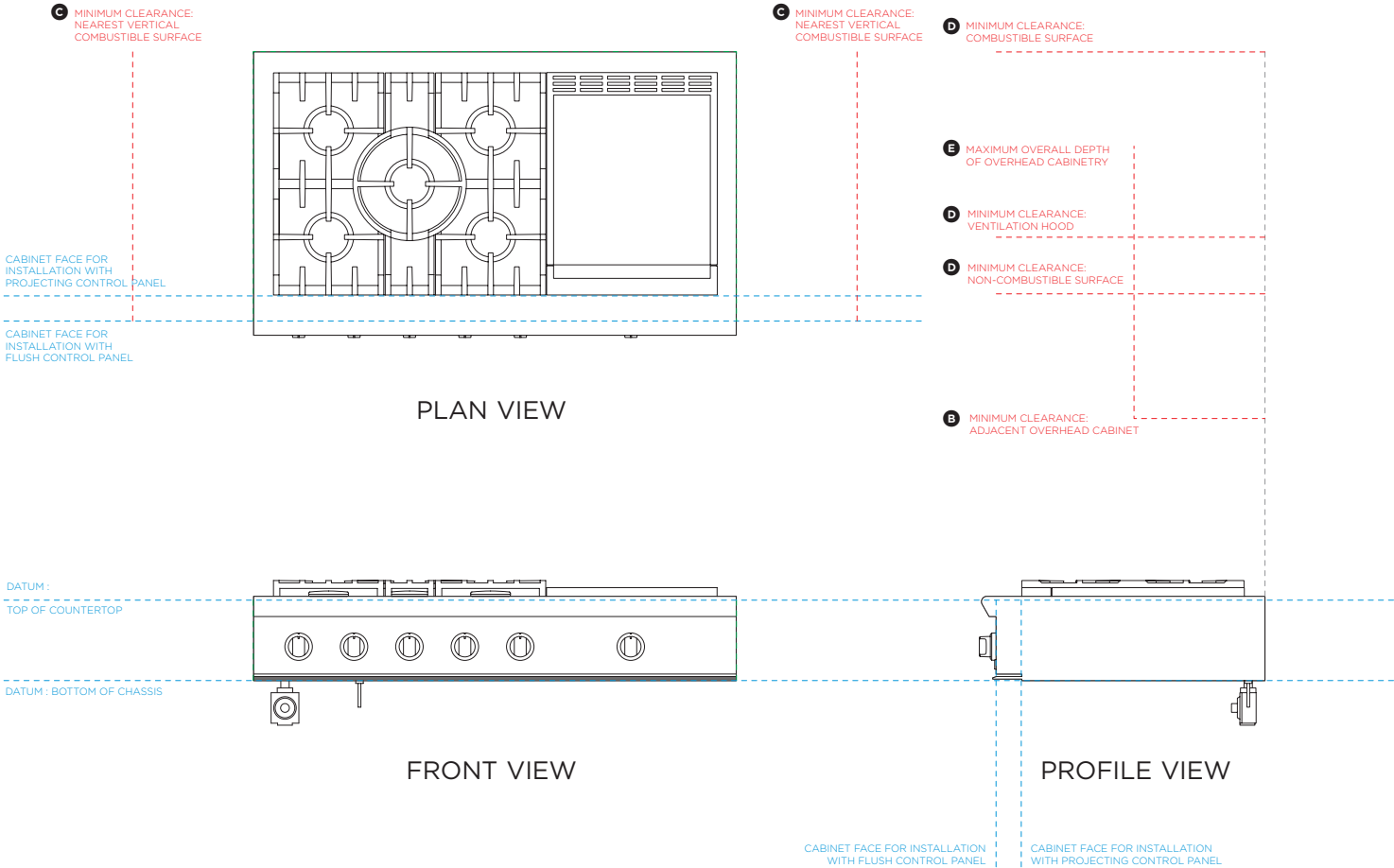
IMPORTANT: Throughout this guide, dimensions may vary by $\pm 2\text{mm}$ (1/16"). Read the installation manual for detailed information on installing the product. For full installation instructions and specifications visit fisherpaykel.com

FISHER & PAYKEL

CLEARANCE DIMENSIONS 48" Professional Gas Cooktop

Model no:
CPV2-485

Cabinetry Dimensions	mm
Ⓐ Minimum width of ventilation hood installed above cooktop - not shown*	1219
Ⓑ Minimum vertical distance between countertop and cabinet extending above counter	457
Ⓒ Minimum clearance from left and right edge of range to nearest vertical combustible surface	305
Ⓓ Minimum clearance from cooking surface to: - combustible surface centered above the cooking surface	54"
- combustible covering for ventilation hood centered above the cooking surface	36"
- non-combustible surface centered above the cooking surface	30"
Ⓔ Maximum overall depth of overhead cabinetry	330



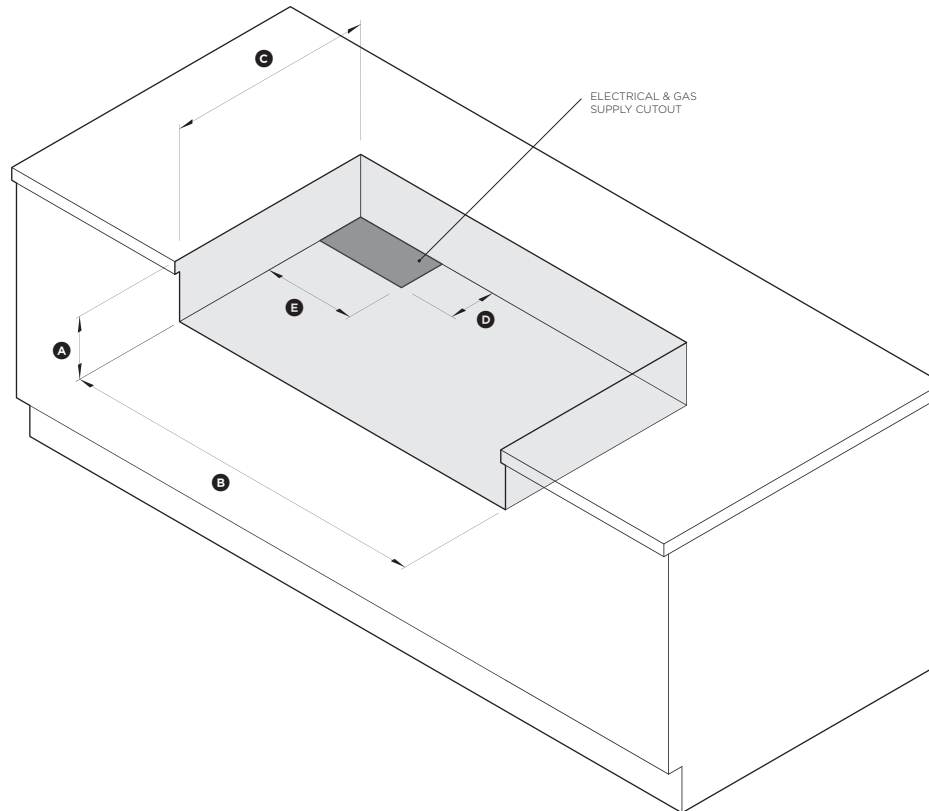
INDICATES CABINETRY CLEARANCES - - - - -
INDICATES PRODUCT DATUM - - - - -

DATE: **24.04.2018**

IMPORTANT: Throughout this guide, dimensions may vary by ±2mm (1/16"). Read the installation manual for detailed information on installing the product. For full installation instructions and specifications visit fisherpaykel.com

FISHER & PAYKEL

CAVITY PREPARATION 48" Professional Gas Cooktop



Model no:
CPV2-485

Cavity Dimensions	mm
Ⓐ Overall height of cutout	203
Ⓑ Overall width of cutout	min 1219
Ⓒ Overall depth of cutout for projecting control panel	max 614
Overall depth of cutout for flush control panel	max 678

Electrical and Gas Supply Cutout	mm
Ⓓ Depth of supply area from rear of cutout	152
Ⓔ Width of supply area from left side of cutout	305

Specifications	48" Models
Electrical	
Supply	120 VAC, 60Hz
Max. Current Draw	15 amp
Service	15 amp circuit
Gas - Natural	
Connection	1/2" NPT Minimum 5/8" dia. flex line
Supply Pressure	Supply Pressure: 6" to 9" W.C.
Gas - LP	
Connection	1/2" NPT Minimum 5/8" dia. flex line
Supply Pressure*	11" to 14" W.C.

A regulator is required at the LP source to provide a maximum pressure of 14" W.C. to the cooktop regulator.

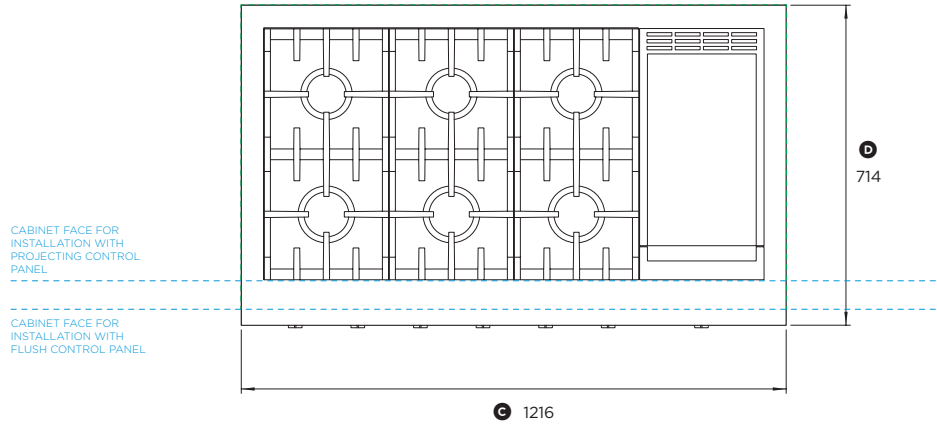
DATE: **24.04.2018**

IMPORTANT: Throughout this guide, dimensions may vary by ±2mm (1/16"). Read the installation manual for detailed information on installing the product. For full installation instructions and specifications visit fisherpaykel.com

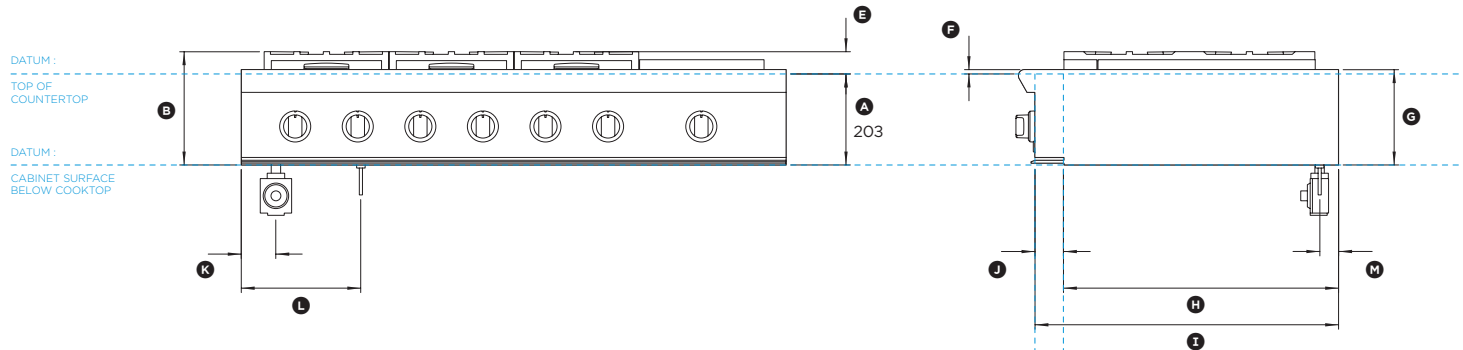
FISHER & PAYKEL

PRODUCT & CAVITY DIMENSIONS 48" Professional Gas Cooktop

Model no:
CPV2-486GD



PLAN VIEW



FRONT VIEW

PROFILE VIEW

CABINET FACE FOR INSTALLATION
WITH FLUSH CONTROL PANEL

CABINET FACE FOR INSTALLATION
WITH PROJECTING CONTROL PANEL



Product Dimensions	mm
Ⓐ Height below countertop datum to bottom of chassis	203
Ⓑ Overall height of product (bottom of chassis to top of grates)	253
Ⓒ Overall width of cooktop	1216
Ⓓ Overall depth of cooktop	714
Ⓔ Height above countertop datum to top of grates	50
Ⓕ Height from countertop datum to chassis top surface	10
Ⓖ Height of chassis	213
Ⓗ Depth from rear of chassis to cabinetry datum - projecting	614
Ⓘ Depth from rear of chassis to cabinetry datum - flush	677
Ⓚ Depth of control panel	64
Ⓛ Distance from left edge of chassis to centre line of gas inlet	77
Ⓜ Distance from left edge of chassis to centre line of power cord	267
Ⓝ Distance from rear edge of chassis to centre line of gas/power	42

Cutout Dimensions	mm
Overall height of cutout	203
Overall width of cutout	min 1219
Overall depth of cutout for projecting control panel	max 614
Overall depth of cutout for flush control panel	max 678

INDICATES CABINETRY DATUM -----
INDICATES CUTOUT - - - - -

DATE: **24.04.2018**

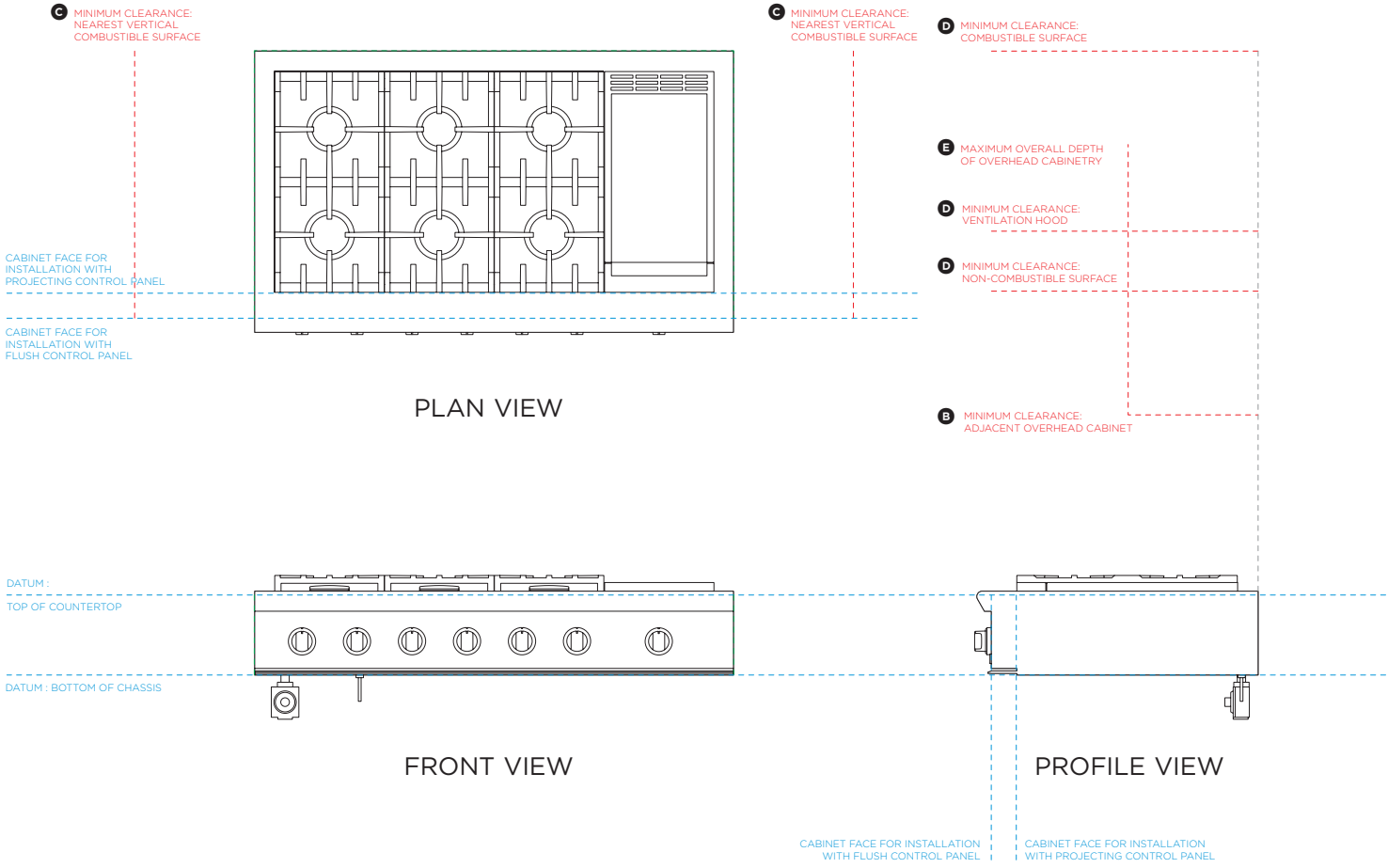
IMPORTANT: Throughout this guide, dimensions may vary by $\pm 2\text{mm}$ (1/16"). Read the installation manual for detailed information on installing the product. For full installation instructions and specifications visit fisherpaykel.com

FISHER & PAYKEL

CLEARANCE DIMENSIONS 48" Professional Gas Cooktop

Model no:
CPV2-486GD

Cabinetry Dimensions	mm
Ⓐ Minimum width of ventilation hood installed above cooktop - not shown*	1219
Ⓑ Minimum vertical distance between countertop and cabinet extending above counter	457
Ⓒ Minimum clearance from left and right edge of range to nearest vertical combustible surface	305
Ⓓ Minimum clearance from cooking surface to: - combustible surface centered above the cooking surface	54"
- combustible covering for ventilation hood centered above the cooking surface	36"
- non-combustible surface centered above the cooking surface	30"
Ⓔ Maximum overall depth of overhead cabinetry	330

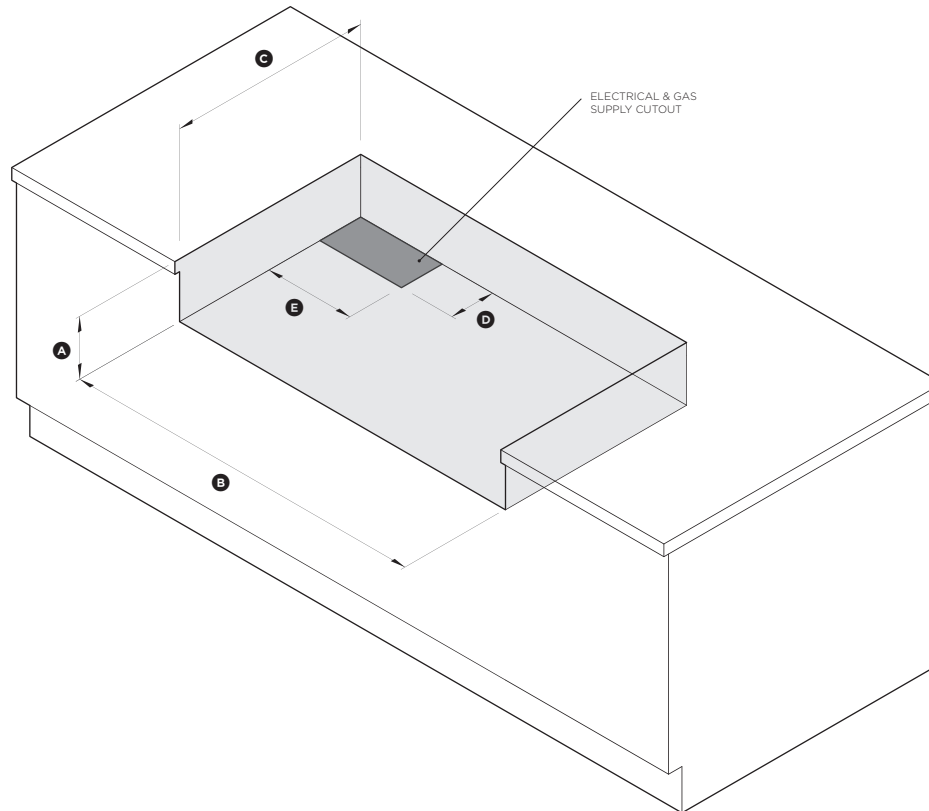


DATE: **24.04.2018**

IMPORTANT: Throughout this guide, dimensions may vary by ±2mm (1/16"). Read the installation manual for detailed information on installing the product. For full installation instructions and specifications visit fisherpaykel.com

FISHER & PAYKEL

CAVITY PREPARATION 48" Professional Gas Cooktop



Model no:
CPV2-486GD

Cavity Dimensions	mm
Ⓐ Overall height of cutout	203
Ⓑ Overall width of cutout	min 1219
Ⓒ Overall depth of cutout for projecting control panel	max 614
Overall depth of cutout for flush control panel	max 678

Electrical and Gas Supply Cutout	mm
Ⓓ Depth of supply area from rear of cutout	152
Ⓔ Width of supply area from left side of cutout	305

Specifications	48" Models
Electrical	
Supply	120 VAC, 60Hz
Max. Current Draw	15 amp
Service	15 amp circuit
Gas - Natural	
Connection	1/2" NPT Minimum 5/8" dia. flex line
Supply Pressure	Supply Pressure: 6" to 9" W.C.
Gas - LP	
Connection	1/2" NPT Minimum 5/8" dia. flex line
Supply Pressure*	11" to 14" W.C.

A regulator is required at the LP source to provide a maximum pressure of 14" W.C. to the cooktop regulator.

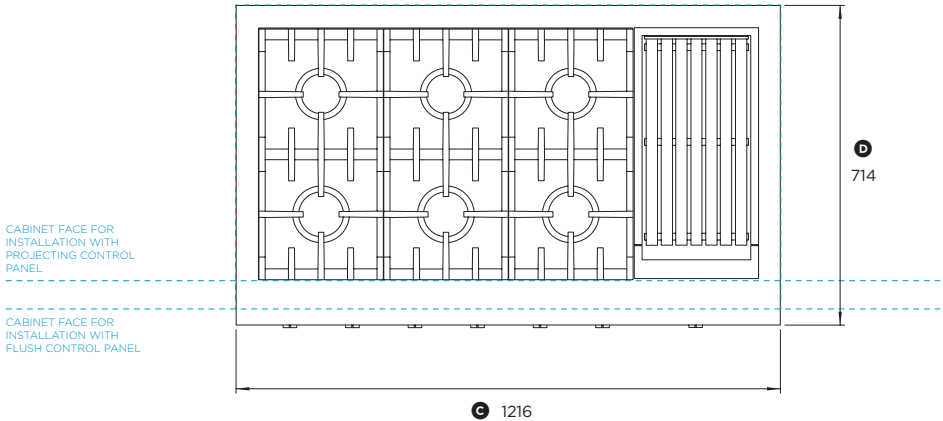
DATE: **24.04.2018**

IMPORTANT: Throughout this guide, dimensions may vary by ±2mm (1/16"). Read the installation manual for detailed information on installing the product. For full installation instructions and specifications visit fisherpaykel.com

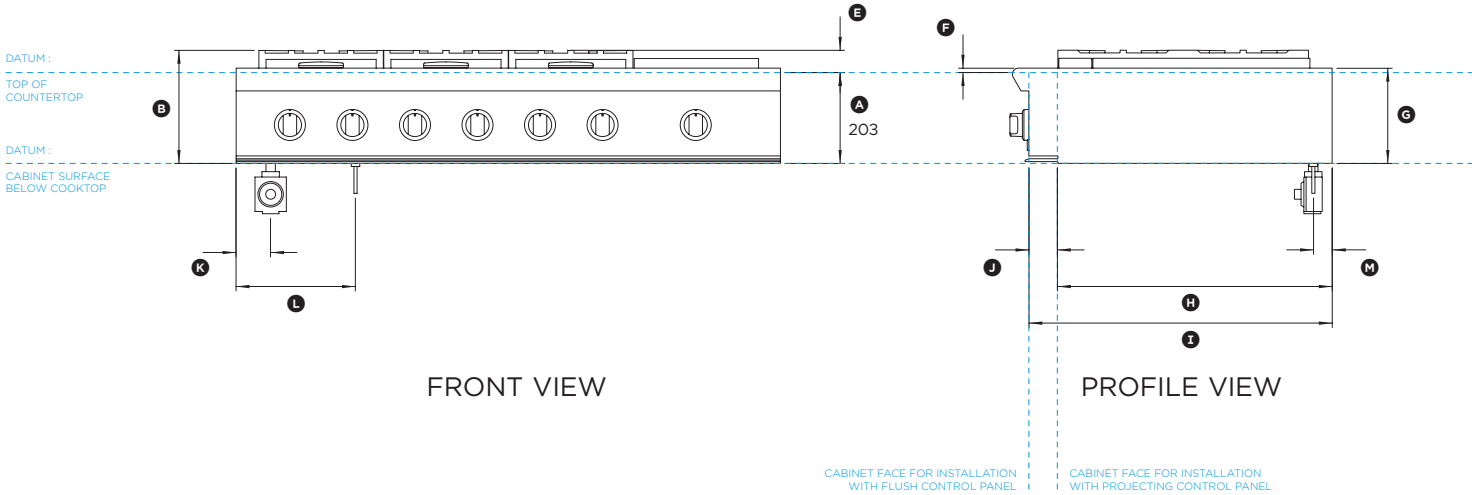
FISHER & PAYKEL

PRODUCT & CAVITY DIMENSIONS 48" Professional Gas Cooktop

Model no:
CPV2-486GL



PLAN VIEW



FRONT VIEW

PROFILE VIEW



Product Dimensions	mm
Ⓐ Height below countertop datum to bottom of chassis	203
Ⓑ Overall height of product (bottom of chassis to top of grates)	253
Ⓒ Overall width of cooktop	1216
Ⓓ Overall depth of cooktop	714
Ⓔ Height above countertop datum to top of grates	50
Ⓕ Height from countertop datum to chassis top surface	10
Ⓖ Height of chassis	213
Ⓗ Depth from rear of chassis to cabinetry datum - projecting	614
Ⓘ Depth from rear of chassis to cabinetry datum - flush	677
Ⓚ Depth of control panel	64
Ⓛ Distance from left edge of chassis to centre line of gas inlet	77
Ⓜ Distance from left edge of chassis to centre line of power cord	267
Ⓝ Distance from rear edge of chassis to centre line of gas/power	42

Cutout Dimensions	mm
Overall height of cutout	203
Overall width of cutout	min 1219
Overall depth of cutout for projecting control panel	max 614
Overall depth of cutout for flush control panel	max 678

INDICATES CABINETRY DATUM -----
INDICATES CUTOUT - - - - -

DATE: **24.04.2018**

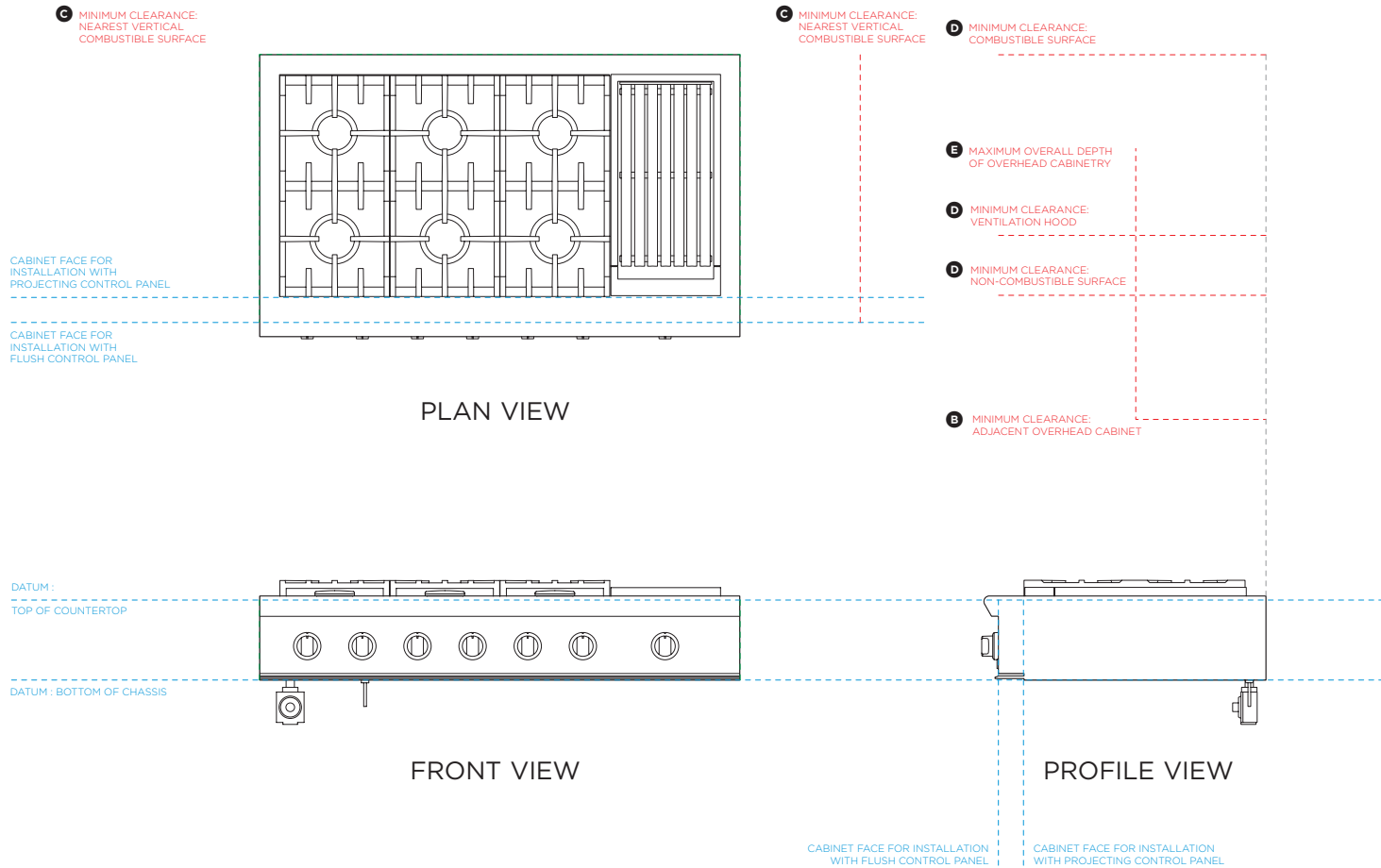
IMPORTANT: Throughout this guide, dimensions may vary by ±2mm (1/16"). Read the installation manual for detailed information on installing the product. For full installation instructions and specifications visit fisherpaykel.com

FISHER & PAYKEL

CLEARANCE DIMENSIONS 48" Professional Gas Cooktop

Model no:
CPV2-486GL

Cabinetry Dimensions	mm
Ⓐ Minimum width of ventilation hood installed above cooktop - not shown*	1219
Ⓞ Minimum vertical distance between countertop and cabinet extending above counter	457
Ⓒ Minimum clearance from left and right edge of range to nearest vertical combustible surface	305
Ⓢ Minimum clearance from cooking surface to: - combustible surface centered above the cooking surface - combustible covering for ventilation hood centered above the cooking surface - non-combustible surface centered above the cooking surface	54" 36" 30"
Ⓔ Maximum overall depth of overhead cabinetry	330



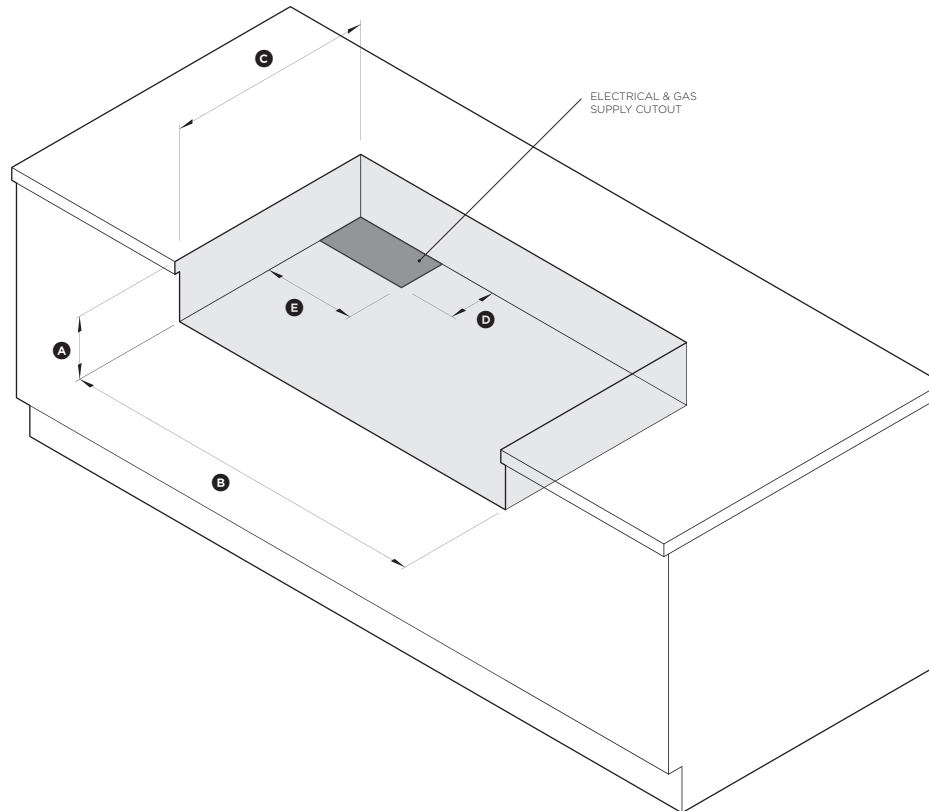
INDICATES CABINETRY CLEARANCES -----
INDICATES PRODUCT DATUM -----

DATE: **24.04.2018**

IMPORTANT: Throughout this guide, dimensions may vary by $\pm 2\text{mm}$ (1/16"). Read the installation manual for detailed information on installing the product. For full installation instructions and specifications visit fisherpaykel.com

FISHER & PAYKEL

CAVITY PREPARATION 48" Professional Gas Cooktop



Model no:
CPV2-486GL

Cavity Dimensions	mm
Ⓐ Overall height of cutout	203
Ⓑ Overall width of cutout	min 1219
Ⓒ Overall depth of cutout for projecting control panel	max 614
Overall depth of cutout for flush control panel	max 678

Electrical and Gas Supply Cutout	mm
Ⓓ Depth of supply area from rear of cutout	152
Ⓔ Width of supply area from left side of cutout	305

Specifications	48" Models
Electrical	
Supply	120 VAC, 60Hz
Max. Current Draw	15 amp
Service	15 amp circuit
Gas - Natural	
Connection	1/2" NPT Minimum 5/8" dia. flex line
Supply Pressure	Supply Pressure: 6" to 9" W.C.
Gas - LP	
Connection	1/2" NPT Minimum 5/8" dia. flex line
Supply Pressure*	11" to 14" W.C.

A regulator is required at the LP source to provide a maximum pressure of 14" W.C. to the cooktop regulator.

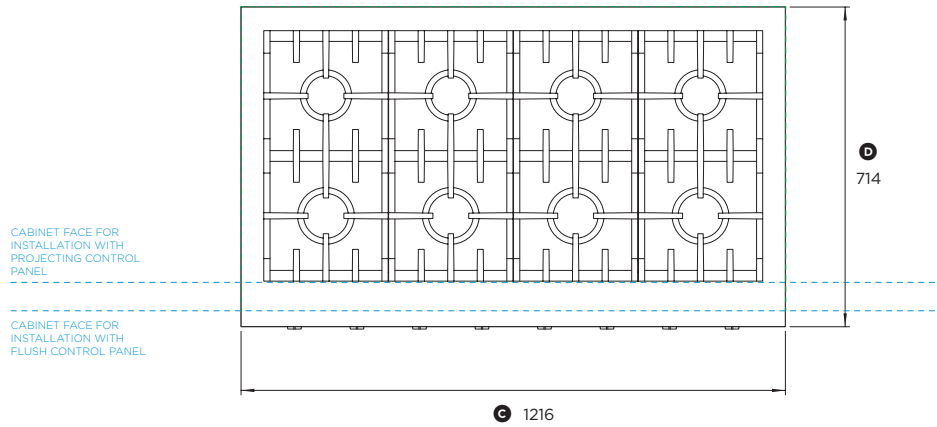
DATE: **24.04.2018**

IMPORTANT: Throughout this guide, dimensions may vary by ±2mm (1/16"). Read the installation manual for detailed information on installing the product. For full installation instructions and specifications visit fisherpaykel.com

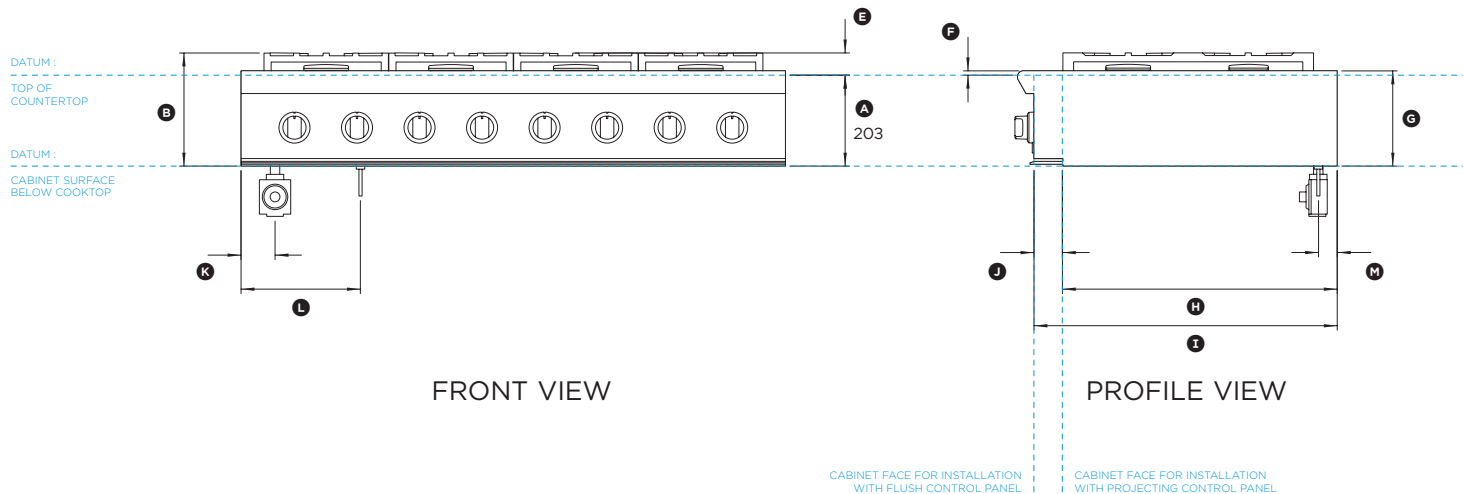
FISHER & PAYKEL

PRODUCT & CAVITY DIMENSIONS 48" Professional Gas Cooktop

Model no:
CPV2-488



PLAN VIEW



FRONT VIEW

PROFILE VIEW



Product Dimensions	mm
Ⓐ Height below countertop datum to bottom of chassis	203
Ⓑ Overall height of product (bottom of chassis to top of grates)	253
Ⓒ Overall width of cooktop	1216
Ⓓ Overall depth of cooktop	714
Ⓔ Height above countertop datum to top of grates	50
Ⓕ Height from countertop datum to chassis top surface	10
Ⓖ Height of chassis	213
Ⓗ Depth from rear of chassis to cabinetry datum - projecting	614
Ⓙ Depth from rear of chassis to cabinetry datum - flush	677
Ⓚ Depth of control panel	64
Ⓛ Distance from left edge of chassis to centre line of gas inlet	77
Ⓜ Distance from left edge of chassis to centre line of power cord	267
Ⓝ Distance from rear edge of chassis to centre line of gas/power	42

Cutout Dimensions	mm
Overall height of cutout	203
Overall width of cutout	min 1219
Overall depth of cutout for projecting control panel	max 614
Overall depth of cutout for flush control panel	max 678

INDICATES CABINETRY DATUM -----
INDICATES CUTOUT -----

DATE: **24.04.2018**

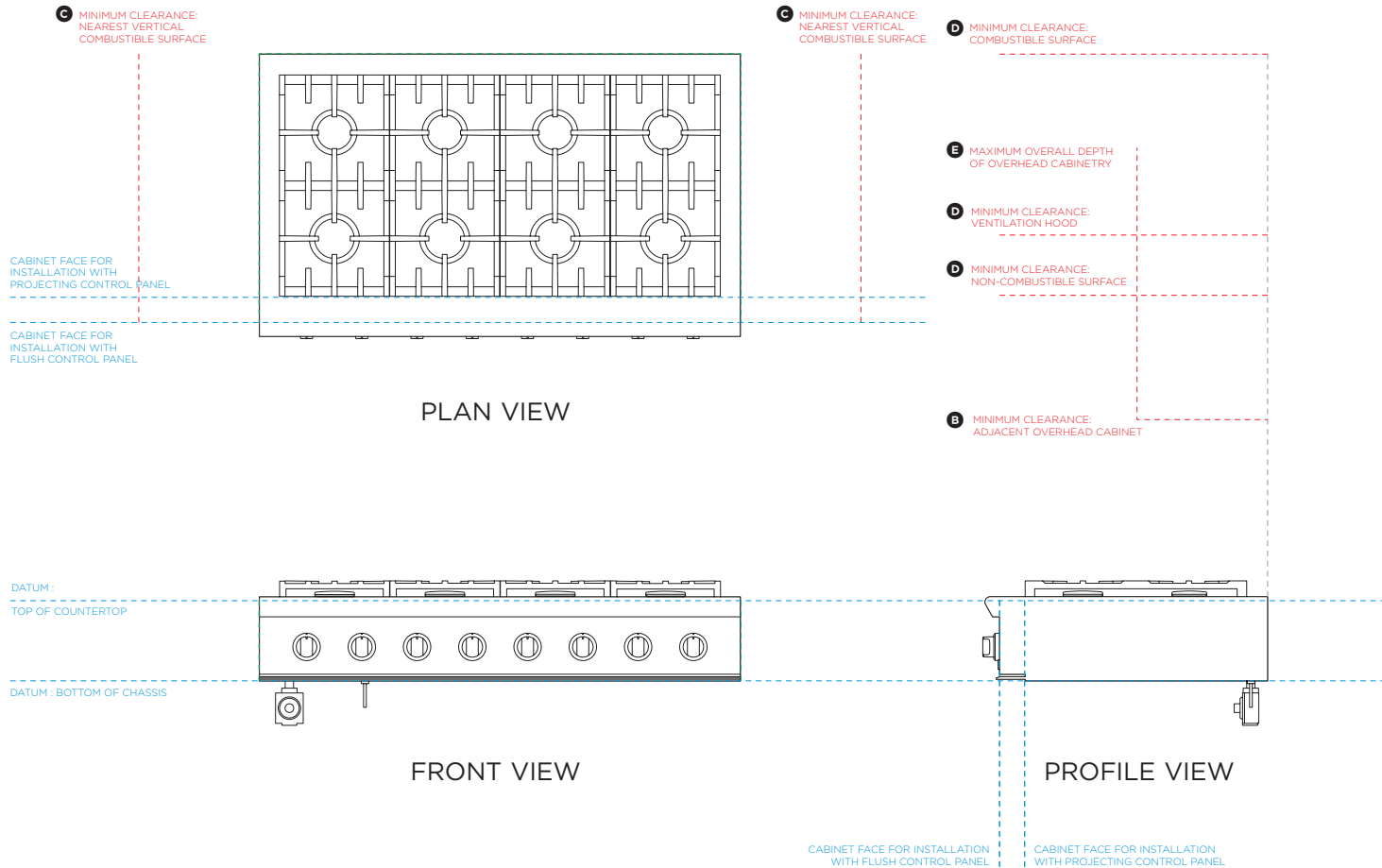
IMPORTANT: Throughout this guide, dimensions may vary by $\pm 2\text{mm}$ (1/16"). Read the installation manual for detailed information on installing the product. For full installation instructions and specifications visit fisherpaykel.com

FISHER & PAYKEL

CLEARANCE DIMENSIONS 48" Professional Gas Cooktop

Model no:
CPV2-488

Cabinetry Dimensions	mm
Ⓐ Minimum width of ventilation hood installed above cooktop - not shown*	1219
Ⓑ Minimum vertical distance between countertop and cabinet extending above counter	457
Ⓒ Minimum clearance from left and right edge of range to nearest vertical combustible surface	305
Ⓓ Minimum clearance from cooking surface to: - combustible surface centered above the cooking surface	54"
- combustible covering for ventilation hood centered above the cooking surface	36"
- non-combustible surface centered above the cooking surface	30"
Ⓔ Maximum overall depth of overhead cabinetry	330

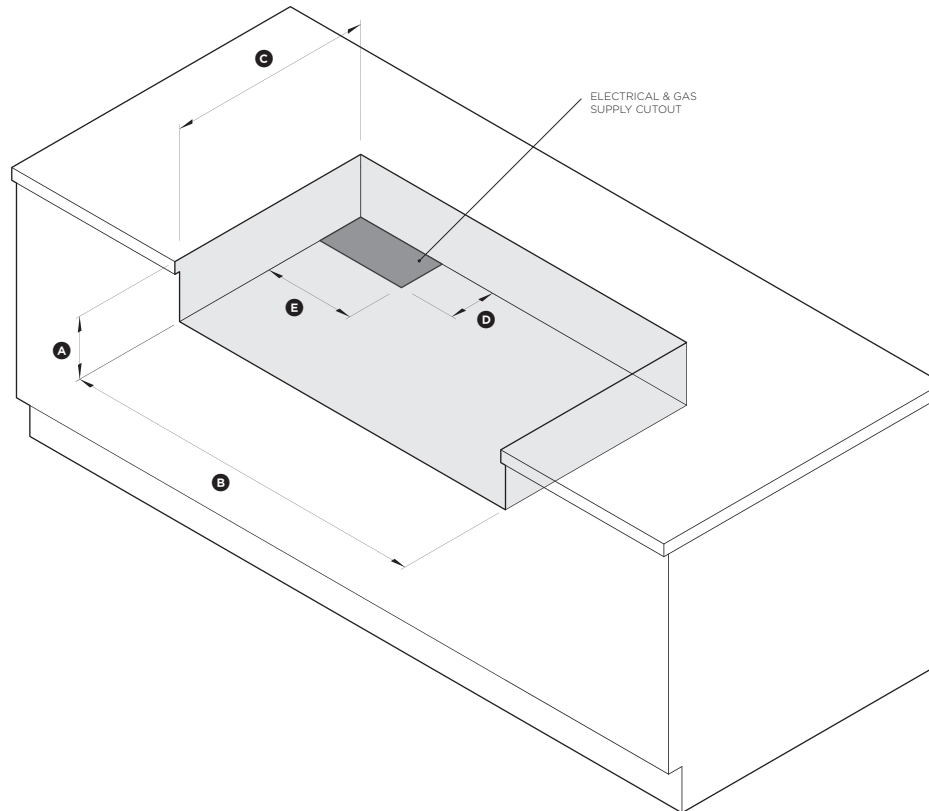


DATE: **24.04.2018**

IMPORTANT: Throughout this guide, dimensions may vary by $\pm 2\text{mm}$ (1/16"). Read the installation manual for detailed information on installing the product. For full installation instructions and specifications visit fisherpaykel.com

FISHER & PAYKEL

CAVITY PREPARATION 48" Professional Gas Cooktop



Model no:
CPV2-488

Cavity Dimensions	mm
Ⓐ Overall height of cutout	203
Ⓑ Overall width of cutout	min 1219
Ⓒ Overall depth of cutout for projecting control panel	max 614
Overall depth of cutout for flush control panel	max 678

Electrical and Gas Supply Cutout	mm
Ⓓ Depth of supply area from rear of cutout	152
Ⓔ Width of supply area from left side of cutout	305

Specifications	48" Models
Electrical	
Supply	120 VAC, 60Hz
Max. Current Draw	15 amp
Service	15 amp circuit
Gas - Natural	
Connection	1/2" NPT Minimum 5/8" dia. flex line
Supply Pressure	Supply Pressure: 6" to 9" W.C.
Gas - LP	
Connection	1/2" NPT Minimum 5/8" dia. flex line
Supply Pressure*	11" to 14" W.C.

A regulator is required at the LP source to provide a maximum pressure of 14" W.C. to the cooktop regulator.

DATE: **24.04.2018**

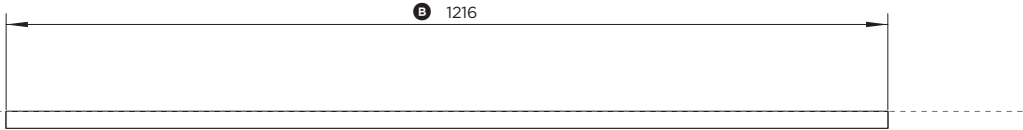
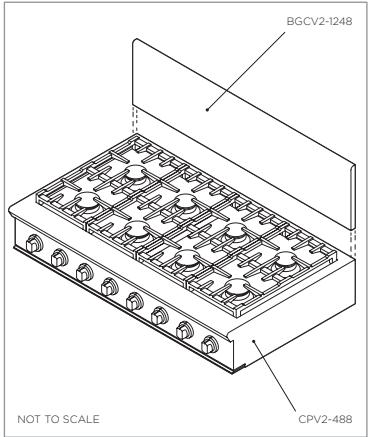
IMPORTANT: Throughout this guide, dimensions may vary by $\pm 2\text{mm}$ (1/16"). Read the installation manual for detailed information on installing the product. For full installation instructions and specifications visit fisherpaykel.com

FISHER & PAYKEL

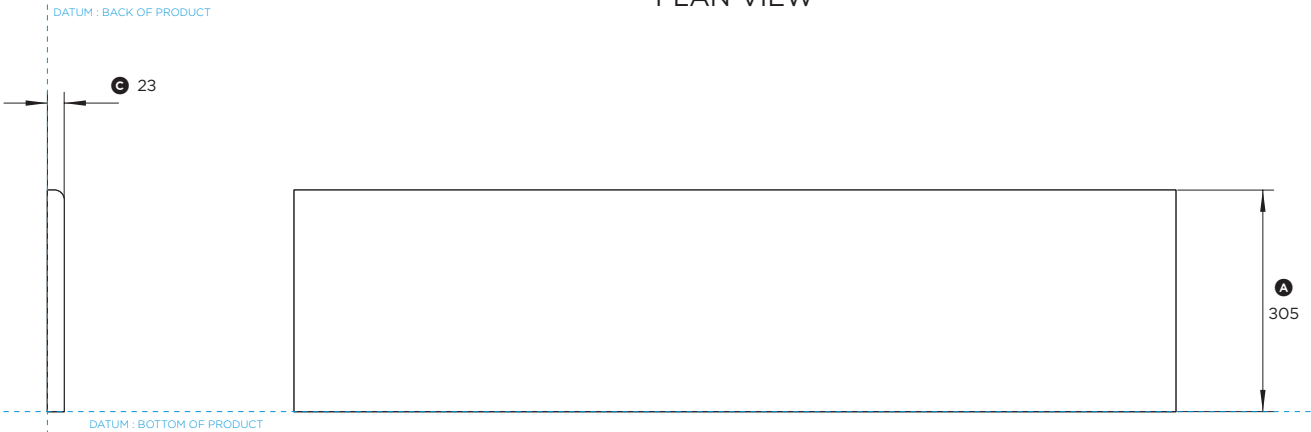
PRODUCT DIMENSIONS 48" Professional Cooktop Backguard

Model no:
BGCV2-1248

Product Dimensions	mm
Ⓐ Overall height of backguard	305
Ⓑ Overall width of backguard	1216
Ⓒ Overall depth of backguard	23



PLAN VIEW



PROFILE VIEW

FRONT VIEW

INDICATES PRODUCT DATUM -----

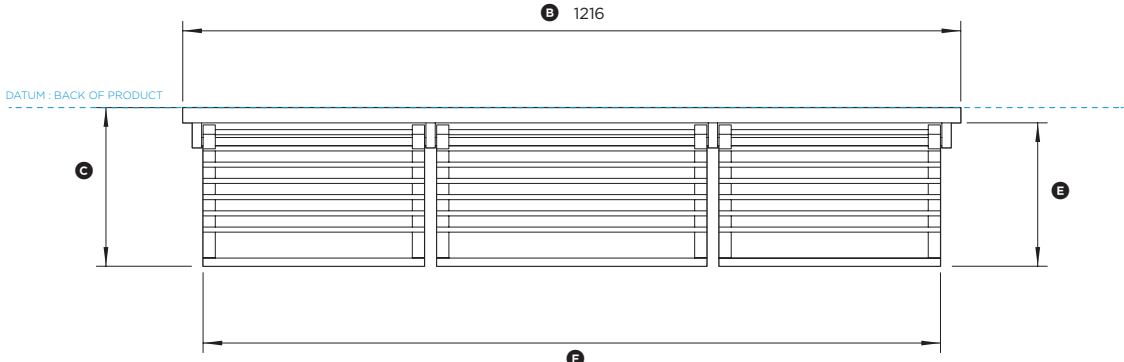
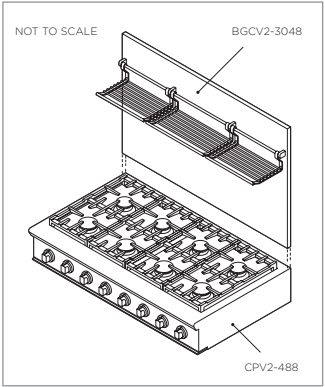


DATE: **24.04.2018**

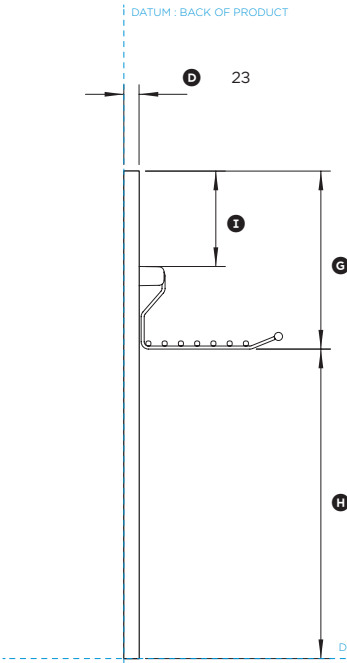
IMPORTANT: Throughout this guide, dimensions may vary by ±2mm (1/16"). Read the installation manual for detailed information on installing the product. For full installation instructions and specifications visit fisherpaykel.com

FISHER & PAYKEL

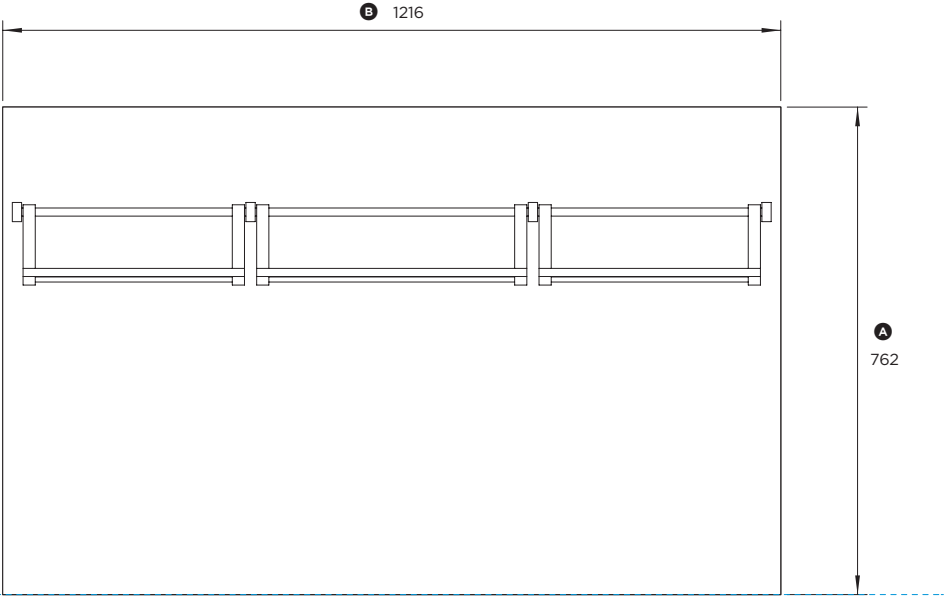
PRODUCT DIMENSIONS 48" Professional Cooktop Backguard



PLAN VIEW



PROFILE VIEW



FRONT VIEW

Model no:
BGCV2-3048

Product Dimensions	mm
Ⓐ Overall height of backguard	762
Ⓑ Overall width of backguard	1216
Ⓒ Overall depth of backguard and racks	248
Ⓓ Depth of backguard	23
Ⓔ Depth of racks	224
Ⓕ Width of racks	1153
Ⓖ Distance from top of backguard to bottom of racks	278
Ⓗ Distance from bottom of backguard to bottom of racks	484
Ⓙ Distance from top of backguard to top of brackets	150

INDICATES PRODUCT DATUM -----

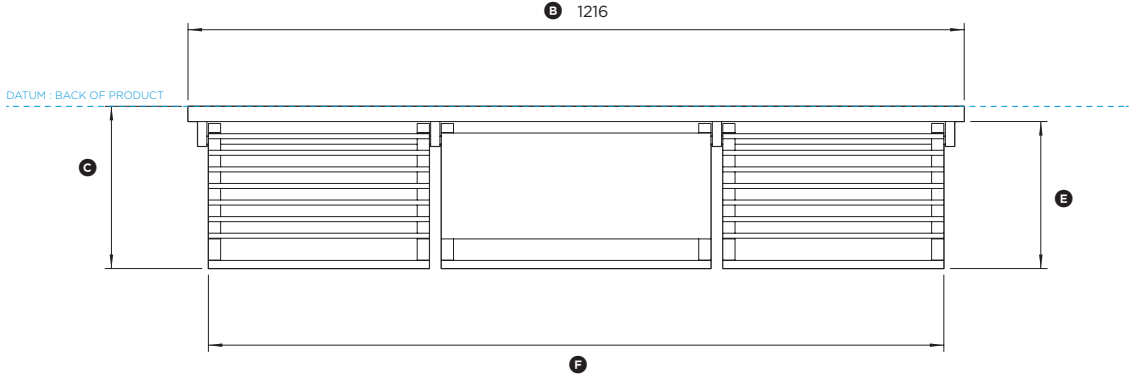
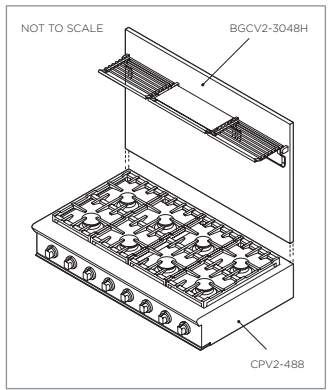


DATE: **24.04.2018**

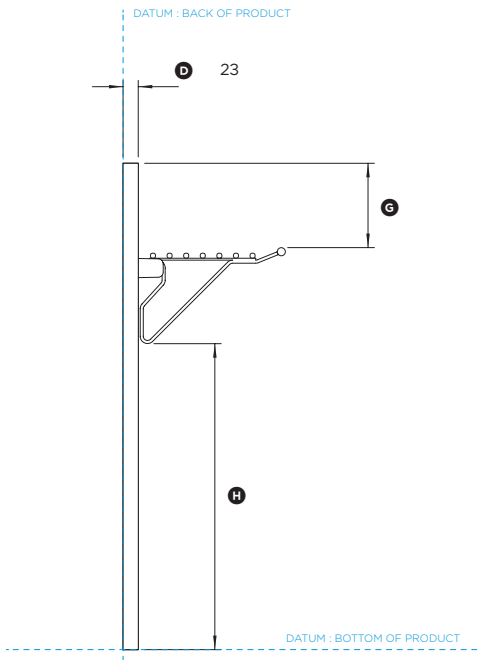
IMPORTANT: Throughout this guide, dimensions may vary by ±2mm (1/16"). Read the installation manual for detailed information on installing the product. For full installation instructions and specifications visit fisherpaykel.com

FISHER & PAYKEL

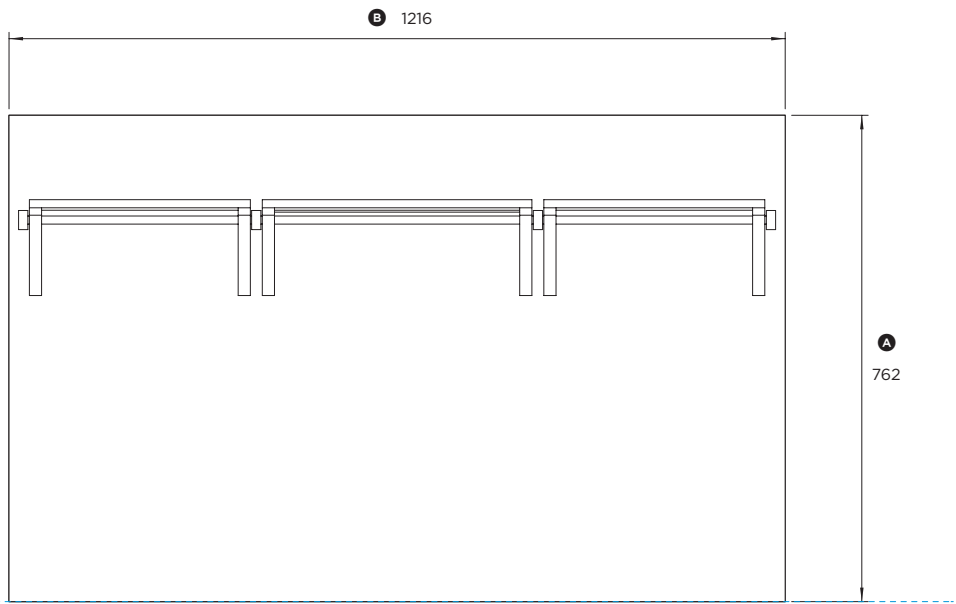
PRODUCT DIMENSIONS 48" Professional Cooktop Backguard



PLAN VIEW



PROFILE VIEW

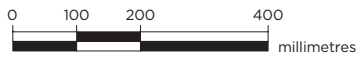


FRONT VIEW

Model no:
BGCV2-3048H

Product Dimensions	mm
Ⓐ Overall height of backguard	762
Ⓑ Overall width of backguard	1216
Ⓒ Overall depth of backguard and racks	254
Ⓓ Depth of backguard	23
Ⓔ Depth of racks	230
Ⓕ Width of racks	1152
Ⓖ Distance from top of backguard to top of racks	136
Ⓗ Distance from bottom of backguard to bottom of racks	479

INDICATES PRODUCT DATUM -----



DATE: **24.04.2018**

IMPORTANT: Throughout this guide, dimensions may vary by ±2mm (1/16"). Read the installation manual for detailed information on installing the product. For full installation instructions and specifications visit fisherpaykel.com

IMPORTANT: The product dimensions and specifications apply at the date of issue. Under our policy of continuous product improvement, these dimensions and specifications may change at any time. Dimensions may vary by $\pm 2\text{mm}$ (1/16"). Please read the installation manual for detailed information on installing the product or visit fisherpaykel.com.

April 2018